



INSTALLATION INSTRUCTIONS

Magic Grippers

DDOC02556

THE KNOW-HOW FACTORY

Content

1	Introduction	3
1.1	Supporting documents	3
1.2	Notices and graphics in the installation and operating instructions	3
1.3	Figures	3
2	Proper use	3
3	Design	4
4	Installing the product	5
4.1	Connecting the suction lip with the connecting element	5
4.2	Inserting the filter disk into the bellows	5
4.3	Connecting the bellows to the suction lip	6
4.4	Connecting the bellows to the ejector	6
4.5	Installing the product on the mounting piece	7
4.5.1	Direct installation on the internal thread	7
4.5.2	Connection adapter with nut	8
4.5.3	Connection adapter for profile system	8
5	Appendix	9
5.1	Determining the structural side	9

1 Introduction

1.1 Supporting documents

NOTICE



Read through the installation instructions before installing or working with the product.

The installation instructions contain important notices for your personal safety. They must be read and understood by all persons who work with or handle the product during any phase of the product lifetime.



The documents listed below are available for download on our website www.zimmer-group.com:

- Installation instructions
- Catalogs, drawings, CAD data, performance data
- Information on accessories
- Technical data sheets
- General Terms and Conditions (GTCs), including warranty information.

⇒ Only the documents currently available on the website are valid.

In these installation and operating instructions, “product” replaces the product designation on the title page.

1.2 Notices and graphics in the installation and operating instructions

NOTICE



This notice warns of possible material and environmental damage. Ignoring these notices can result in damage to the product or the environment.

- ▶ You absolutely must comply with the described measures for avoiding these dangers.

INFORMATION



This category contains useful tips for handling the product efficiently. Failure to observe these tips will not result in damage to the product. This information does not include any information relevant to health or workplace safety.

1.3 Figures

The figures may deviate from the actual state.

2 Proper use

NOTICE



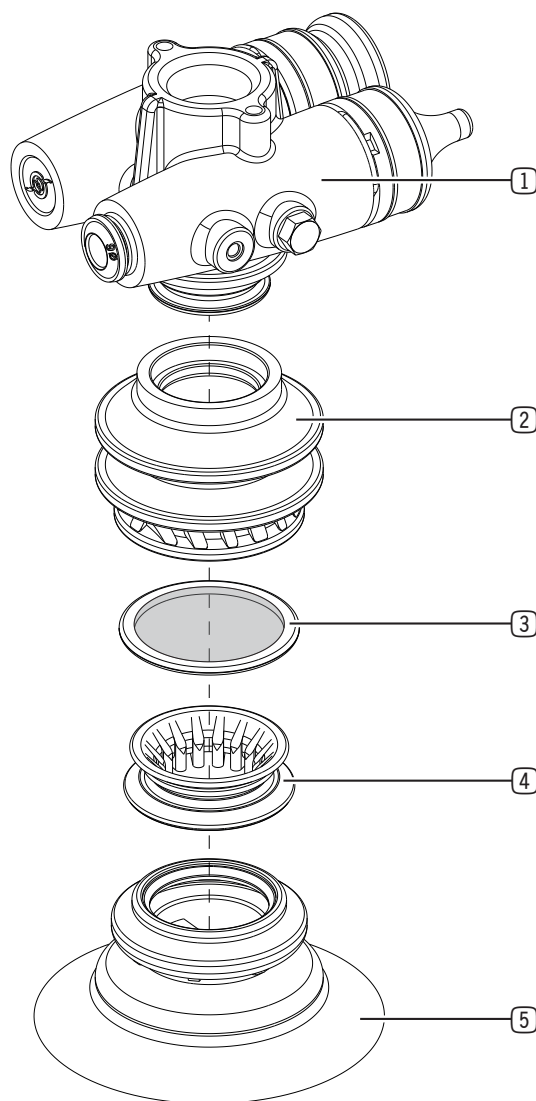
The product is only to be used in its original state with its original accessories, with no unauthorized changes and within the stipulated parameter limits and operating conditions.

Any other or secondary use is deemed improper.

- ▶ Operate the product only in compliance with the associated installation instructions.
- ▶ Operate the product only when it is in a technical condition that corresponds to the guaranteed parameters and operating conditions.

⇒ Zimmer Group GmbH accepts no liability for any damage caused by improper use. The operator bears sole responsibility.

3 Design



- ① Ejector
- ② Bellows
- ③ Filter element
- ④ Connection element
- ⑤ Suction lip

4 Installing the product

NOTICE



Risk of material damage due to sharp objects

- ▶ Do not use any sharp objects for installation.

INFORMATION



- ▶ Alternatively, you can find information on installation in the video on our website.

INFORMATION

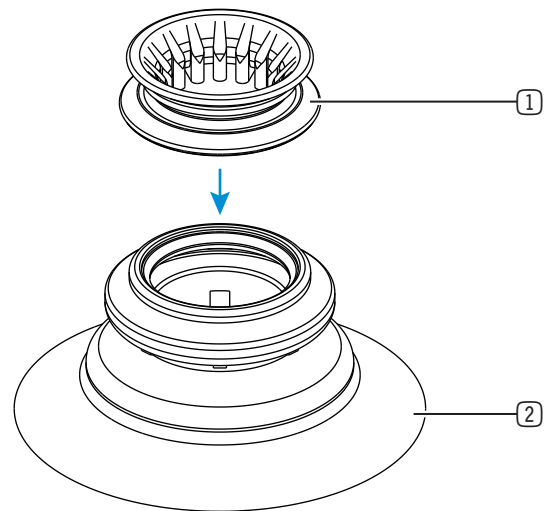


The connecting element is already fitted to the following type of suction lip:

- S

4.1 Connecting the suction lip with the connecting element

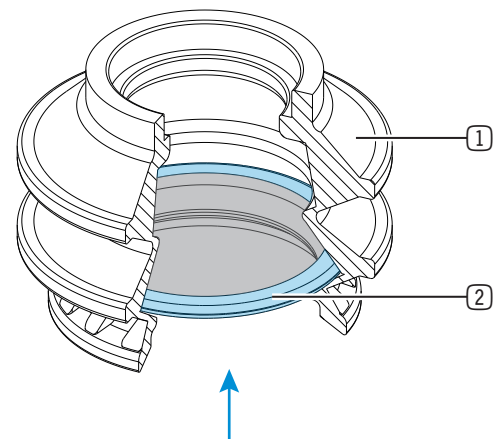
- ▶ Pull the suction lip over the structural side of the connecting element.
 - ▶ Please note section "5.1 Determining the structural side".



- ① Connection element
- ② Suction lip

4.2 Inserting the filter disk into the bellows

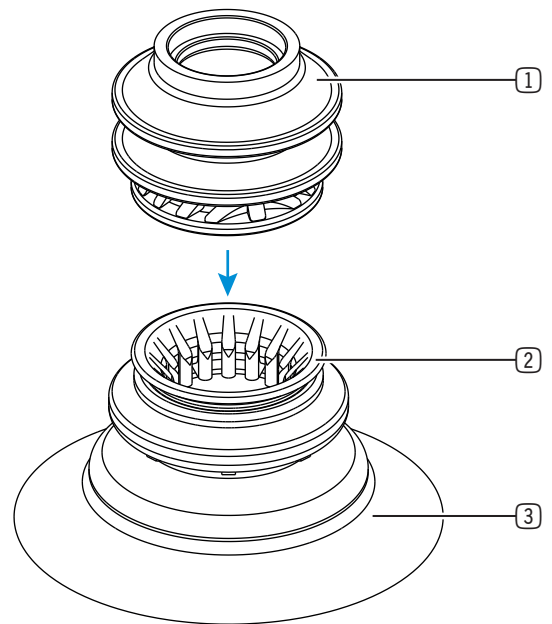
- ▶ Insert the filter disk into the bellows.
 - ▶ Make sure that the filter disk is positioned in the bellows as shown in the adjacent picture.



- ① Bellows
- ② Filter disk

4.3 Connecting the bellows to the suction lip

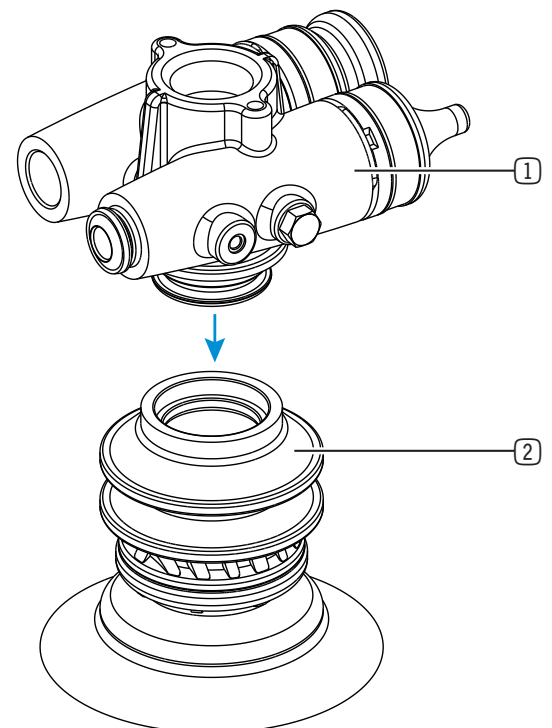
- ▶ Slide the connecting element with the suction lip into the bellows.
 - ▶ If necessary, tilt the connecting element with the suction lip slightly and insert it with one side first.



- ① Bellows
- ② Connection element
- ③ Suction lip

4.4 Connecting the bellows to the ejector

- ▶ Pull the bellows over the collar on the ejector.



- ① Ejector
- ② Bellows

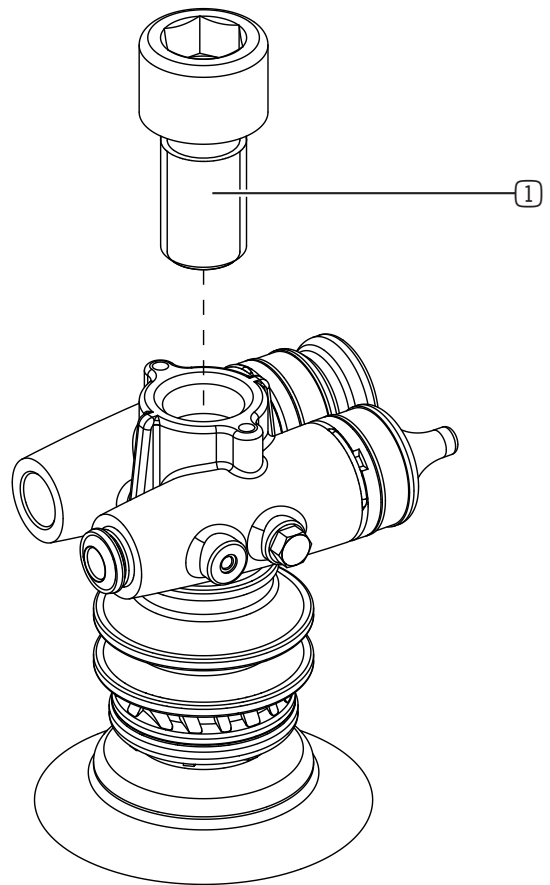
4.5 Installing the product on the mounting piece

The options for installing the product on the mounting piece as are follows:

- Direct installation on the internal thread
 - Connection adapter with nut
 - Connection adapter for profile system
- ▶ Make sure the mounting piece is sufficiently rigid.
 - ▶ Ensure the cleanliness of the connection surfaces.
 - ▶ Use only suitable mounting screws.
 - ▶ Comply with the tightening torques of the mounting screws.
 - ▶ Refer to our website for the recommended tightening torques:
 - <https://www.zimmer-group.com/en-us/td>

4.5.1 Direct installation on the internal thread

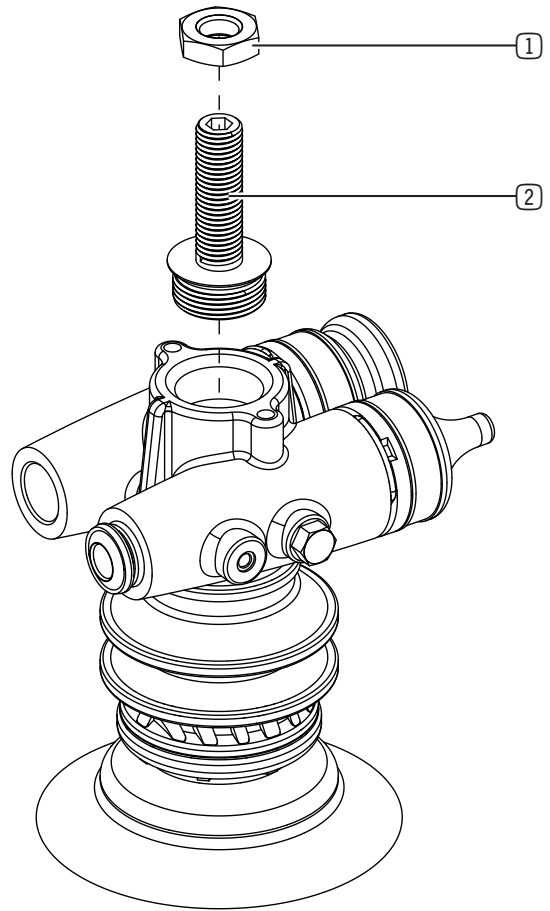
- ▶ Install the product on the mounting piece with the mounting screw.



① Mounting screw

4.5.2 Connection adapter with nut

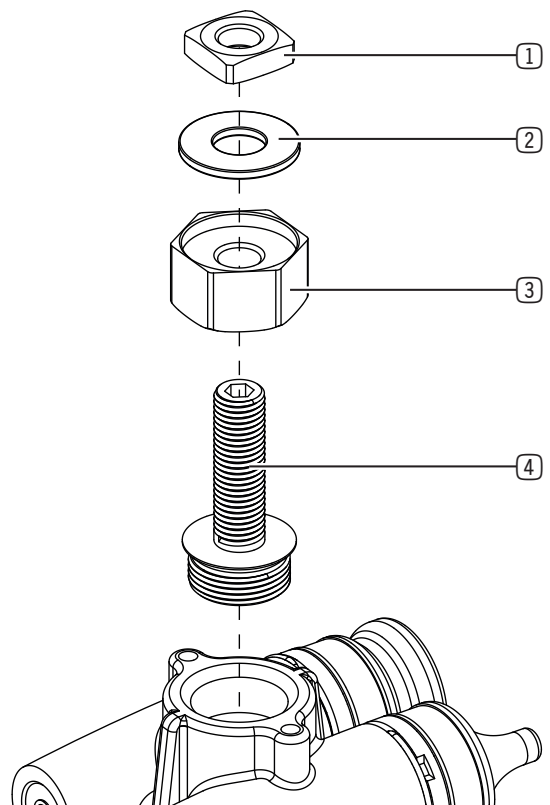
- ▶ Install the connection adapter in the product.
 - ▶ Adhere to the following tightening torque:
 - MA-PM-M6M: 3.5 Nm
 - MA-PM-M8M: 7 Nm
- ▶ Position the product on the mounting piece with the connection adapter.
- ▶ Install the product on the mounting piece with the nut.



- ① Nut
- ② Connection adapter

4.5.3 Connection adapter for profile system

- ▶ Install the connection adapter in the product.
 - ▶ Adhere to the following tightening torque:
 - MA-PM-M6M: 3.5 Nm
 - MA-PM-M8M: 7 Nm
- ▶ Loosely fit the hexagon nut, washer and square nut onto the connection adapter.
- ▶ Push the product into the profile using the square nut.
- ▶ Install the product onto the profile with the nut.



- ① Square nut
- ② Washer
- ③ Hexagon nut
- ④ Connection adapter

5 Appendix

5.1 Determining the structural side

Type	Structural side
A	
B	
C	
D	

Type	Structural side
G	