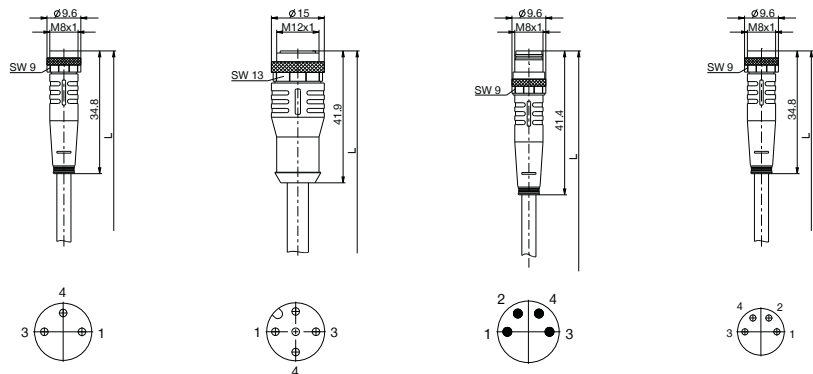


SENSORS AND HOLDERS

SENSOR CABLES

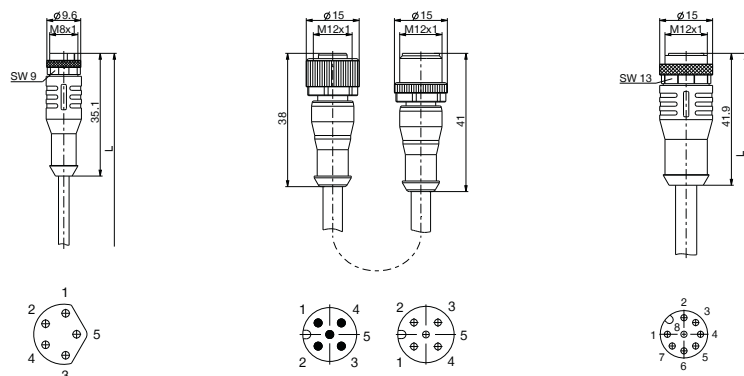
► SERIES KAG - PLUG-IN CONNECTOR STRAIGHT WITH CABLE



► Technical data

Order no.	KAG500	KAG500-02	KAG500S4	KAG500B4
Connection type	Female	Penetration technology	Connector	Female
Version	Straight	Straight	Straight	Straight
Fixing thread	M8	M12	M8	M8
No. of contacts	3	3	4	4
Current load (at 40°C) [A]	4	4	4	4
Temperature range (fixed) [°C]	-40 ... +90	-40 ... +90	-40 ... +90	-40 ... +90
Temperature range (drag chain) [°C]	-25 ... +60	-25 ... +60	-25 ... +60	-25 ... +60
Protection to IEC 60529	IP67	IP67	IP67	IP67
Cable length [m]	5	5	5	5
Cable-Ø [mm]	4.3	4.3	4.7	4.7
Bend radius, fixed cable installation	10xØ	10xØ	10xØ	10xØ
Cable sheath material	PUR	PUR	PUR	PUR
Certification	UL /CSA	UL /CSA	UL /CSA	UL /CSA

► SERIES KAG - PLUG-IN CONNECTOR STRAIGHT WITH CABLE

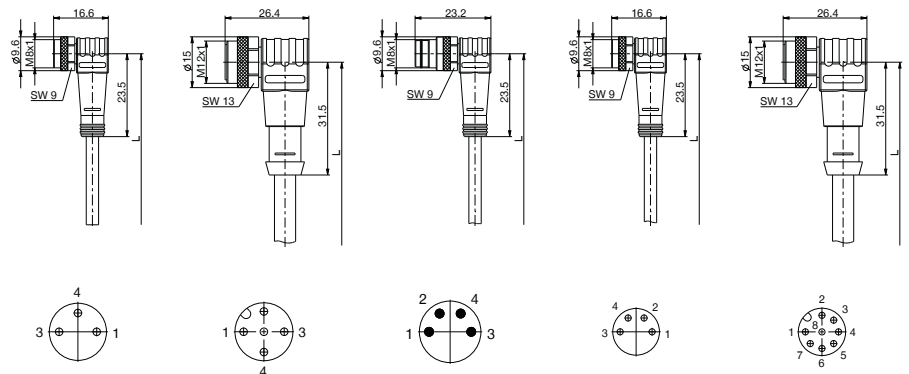


► Technical data

Order no.	KAG500B5	KAG500IL	KAG1000B8
Connection type	Female	Connector / female	Female
Version [Type]	Straight	Straight/straight	Straight
Fixing thread	M8	M12-M12	M12
No. of contacts	5	5	8
Current load (at 40°C) [A]	3	4	2
Temperature range (fixed) [°C]	-50 ... +90	-40 ... +90	-40 ... +90
Temperature range (drag chain) [°C]	-25 ... +60	-25 ... +60	-25 ... +60
Protection to IEC 60529	IP67	IP67	IP67
Cable length [m]	5	5	10
Cable-Ø [mm]	4.7	4.8	4.7
Bend radius, fixed cable installation	12xØ	5xØ	10xØ
Cable sheath material	PUR	PUR	PUR
Certification	UL /CSA	UL /CSA	UL /CSA



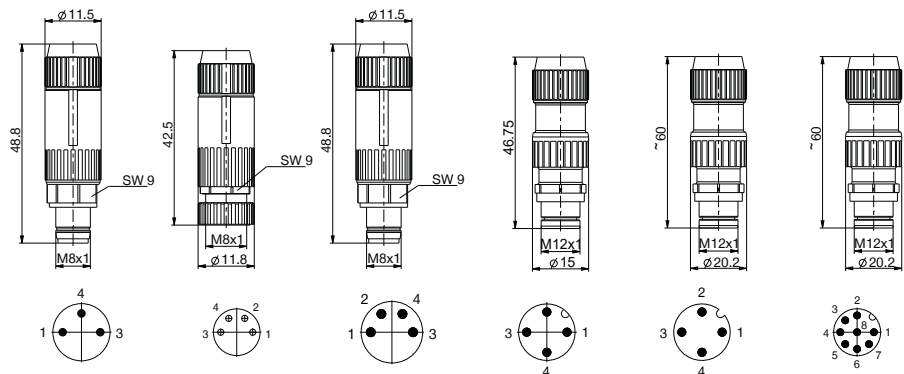
► SERIES KAW - PLUG-IN CONNECTOR ANGLED WITH CABLE



► Technical data

Order no.	KAW500	KAW500-12	KAW500S4	KAW500B4	KAW1000B8
Connection type	Female	Female	Connector	Female	Female
Version	Angle	Angle	Angle	Angle	Angle
Fixing thread	M8	M12	M8	M8	M12
No. of contacts	3	3	4	4	8
Current load (at 40°C) [A]	4	4	4	4	2
Temperature range (fixed) [°C]	-40 ... +90	-40 ... +90	-40 ... +90	-40 ... +90	-40 ... +90
Temperature range (drag chain) [°C]	-25 ... +60	-25 ... +60	-25 ... +60	-25 ... +60	-25 ... +60
Protection to IEC 60529	IP67	IP67	IP67	IP67	IP67
Cable length [m]	5	5	5	5	10
Cable-Ø [mm]	4.3	4.3	4.7	4.7	4.7
Bend radius, fixed cable installation	10xØ	10xØ	10xØ	10xØ	10xØ
Cable sheath material	PUR	PUR	PUR	PUR	PUR
Certification	UL /CSA	UL /CSA	UL /CSA	UL /CSA	UL /CSA

► SERIES S - PLUG-IN CONNECTOR CUSTOMIZABLE WITH SCREW-CUT-TERMINAL



► Technical data

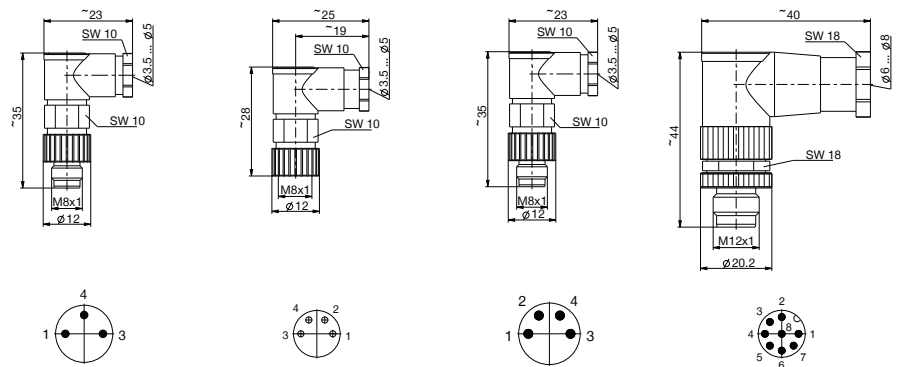
Order no.	S8-G-3	B8-G-4	S8-G-4	S12-G-3	S12-G-4	S12-G-8
Connection type	Screw-cut-terminal	Socket	Screw-cut-terminal	Screw-cut-terminal	Screw-cut-terminal	Screw-cut-terminal
Version	Straight	Straight	Straight	Straight	Straight	Straight
Fixing thread	M8	M8	M8	M12	M12	M12
No. of contacts	3	4	4	3	4	8
Protection to IEC 60529	IP67	IP67	IP67	IP67	IP67	IP67
Certification						



SENSORS AND HOLDERS

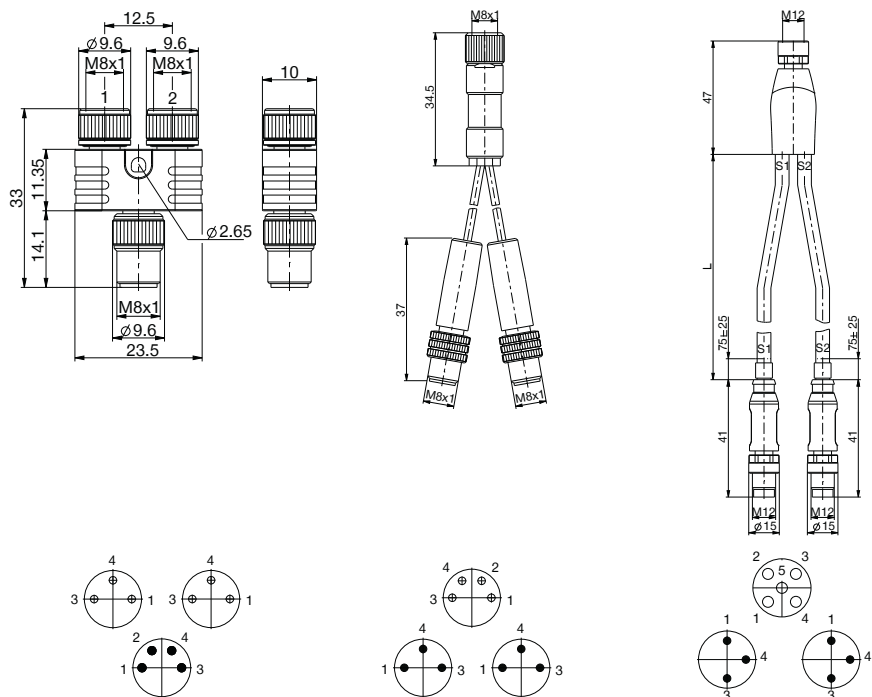
SENSOR CABLES

► SERIES S - PLUG-IN CONNECTOR CUSTOMIZABLE WITH SOLDER CONNECTION



Order no.	S8-W-3	B8-W-4	S8-W-4	S12-W-8
Connection type	Solder connection	Solder connection	Solder connection	Screw displacement connection
Version	Angle	Angle	Angle	Angle
Fixing thread	M8	M8	M8	M12
No. of contacts	3	4	4	8
Protection to IEC 60529	IP67	IP67	IP67	IP67
Certification				

► SERIES S - Y-PLUG-IN CONNECTOR



Order no.	S8-Y-4	B8-Y-4	B12-Y-5IL
Connection type	Socket / plug / socket	Plug / socket / plug	Plug / socket / plug
Version [Type]	Y-adapter	Y-cable	Y-cable
Fixing thread	M8-M8-M8	M8-M8-M8	M12-M12-M12
No. of contacts	4 / 3 / 3	4 / 3 / 3	5 / 3 / 3
Protection to IEC 60529	IP67	IP67	IP67
Certification			UL / CSA

