

# CRASH PROTECTION SERIES CRR

## ▶ PRODUCT ADVANTAGES



### ▶ Adjustable triggering sensitivity

By controlling the air pressure, you can optimally match the sensitivity to your application.

### ▶ Integrated sensors

If there is a collision, the integrated sensor gives a signal to the control system to trigger an emergency stop.

### ▶ Automated reset

After an emergency stop, you can reset the collision protection from a safe distance. This is an advantage primarily when entering the system is undesirable, dangerous or is possible only with difficulty.

## ▶ THE BEST PRODUCT FOR YOUR APPLICATION



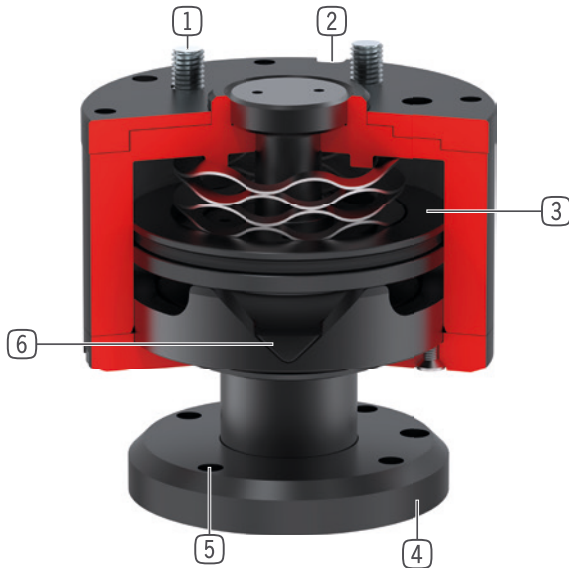
### ▶ Our products welcome the challenge!

Extreme conditions, all over the world—our tried and tested components and systems give you endless possibilities.

Find the best product for your specific use:

[www.zimmer-group.com](http://www.zimmer-group.com)

## ► BENEFITS IN DETAIL



- ① **Robot connecting flange**
  - partial mounting circle in accordance with EN ISO 9409-1
- ② **Piston position sensing**
  - The sensor generates a signal that can be evaluated to recognize an overload.
  - Magnetic field sensor included in delivery
- ③ **Drive**
  - single-acting pneumatic cylinder
  - response sensitivity adjustable via operating pressure
  - with integrated spring
- ④ **Overload recognition and compensation**
  - In Z direction
  - Tilting in horizontal direction
  - Rotation around the Z-axis
- ⑤ **Connecting flange**
  - partial mounting circle in accordance with EN ISO 9409-1
- ⑥ **Reset**
  - Pistons are used to move the connecting flange to its initial position.

## ► TECHNICAL DATA

Installation size	Connecting flange according EN ISO 9409-1	Z-axis deviation	Repetition accuracy axial +/-
		[mm]	[mm]
<b>CRR40</b>	TK 40	8	0.01
<b>CRR50</b>	TK 50	12	0.01
<b>CRR63</b>	TK 63	15	0.01

## ► FURTHER INFORMATION IS AVAILABLE ONLINE



All information just a click away at: [www.zimmer-group.com](http://www.zimmer-group.com). Find data, illustrations, 3D models and operating instructions for your installation size using the order number for your desired product. Quick, clear and always up-to-date.

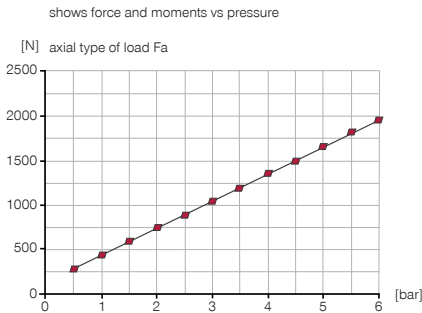
# CRASH PROTECTION

## INSTALLATION SIZE CRR50

### ▶ PRODUCT SPECIFICATIONS

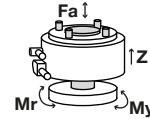


#### ▶ Air pressurization

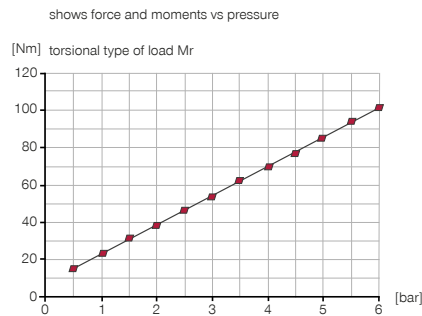


#### ▶ Forces and moments

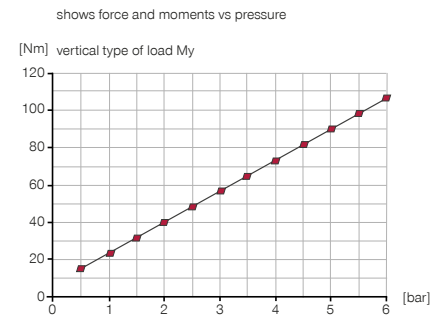
See diagram for max. forces and torques



#### ▶ Air pressurization



#### ▶ Air pressurization



### ▶ INCLUDED IN DELIVERY



1 [piece]  
Magnetic field sensor straight, cable 0.3 m - M8 connector  
**MFS02-S-KHC-P1-PNP**

### ▶ RECOMMENDED ACCESSORIES



#### ENERGY SUPPLY



**GVM5**  
Straight Fittings - Quick Connect Style



**WVM5**  
Angled Fittings - Quick Connect Style



#### CONNECTIONS / OTHER



**KAG500**  
Plug-in connector Straight Cable 5m - Socket M8 (female)



**KAW500**  
Plug-in connector Angled Cable 5m - Socket M8 (female)



Order no.	Technical data
Connecting flange according EN ISO 9409-1	TK 50
Z-axis deviation [mm]	12
Repetition accuracy axial +/- [mm]	0.01
Axial response sensitivity [mm]	0.5
Horizontal deviation +/- [°]	14.0
Repetition accuracy Radial +/- [min]	4
Radial response sensitivity [°]	1.5
Z-axis rotation [°]	22
Repetition accuracy rotatory +/- [min]	4
Response sensitivity rotatory [°]	1
Operating pressure [bar]	0.5 ... 6
Nominal operating pressure [bar]	6
Operating temperature [°C]	5 ... +80
Air volume per cycle [cm <sup>3</sup> ]	37.40
Moment of inertia around the Z-axis [kgcm <sup>2</sup> ]	7.69
Weight [kg]	1.1

