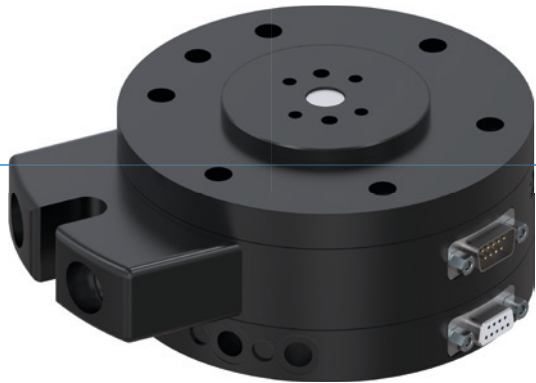


# ROTARY DISTRIBUTORS

## SERIES DVR

### ▶ PRODUCT ADVANTAGES



#### ▶ **Compact media transfer system**

This D1 media exchanger makes cable breaks and undefined interference contours through the power supply line a thing of the past

#### ▶ **Flat design**

This structure reduces the moment load for your robot to a minimum and makes it possible to use smaller and more affordable sizes

#### ▶ **Gold contact**

Allows flexibility for transmission because you can transfer everything from the smallest flows up to 250 volts and 6 amps with process reliability

### ▶ THE BEST PRODUCT FOR YOUR APPLICATION



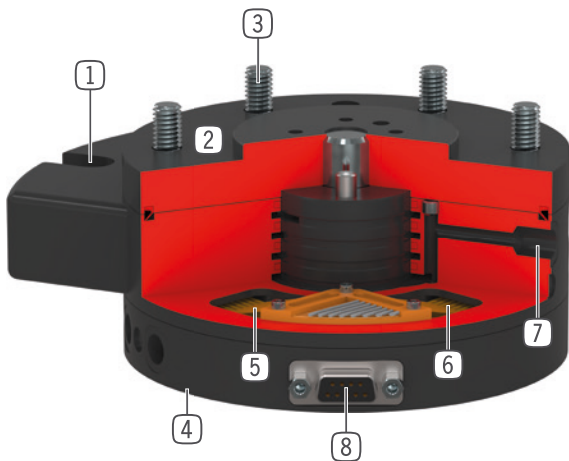
#### ▶ **Our products welcome the challenge!**

Extreme conditions, all over the world—our tried and tested components and systems give you endless possibilities.

Find the best product for your specific use:

[www.zimmer-group.com](http://www.zimmer-group.com)

## ► BENEFITS IN DETAIL



- ① **Torque brace**  
- supports the rotor during rotation (movement)
- ② **Robust, lightweight housing**  
- Hard-coated aluminum alloy  
- nitrated steel
- ③ **Robot flange**  
- partial mounting circle in accordance with EN ISO 9409-1
- ④ **Direct air connection**  
- to WWR series
- ⑤ **Spring system**  
- from size DVR63 double fitting
- ⑥ **Collector ring**  
- hard gold coated  
- transferable to finest currents
- ⑦ **Up to 8 way integrated air feed-through**  
- for hoseless air transfer  
- hose package does not have to be pivoted
- ⑧ **Up to 12 pole energy transfer**  
- for cable-free signal transfer  
- no cables are subjected to torsion

## ► TECHNICAL DATA

Installation size	Connecting flange according EN ISO 9409-1	Pneumatic energy transfer	Electrical energy transfer
		[Quantity]	
DVR40	TK 40	4	4-pole
DVR50	TK 50	4	4-pole
DVR63	TK 63	6	6-pole
DVR80	TK 80	6	6-pole
DVR100	TK 100	4 / 8	8-pole
DVR125	TK 125	4 / 8	12-pole
DVR160	TK 160	4 / 8	12-pole

## ► FURTHER INFORMATION IS AVAILABLE ONLINE

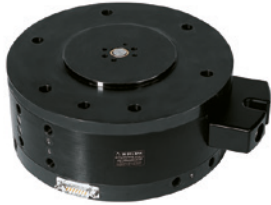


All information just a click away at: [www.zimmer-group.com](http://www.zimmer-group.com). Find data, illustrations, 3D models and operating instructions for your installation size using the order number for your desired product. Quick, clear and always up-to-date.

# ROTARY DISTRIBUTORS

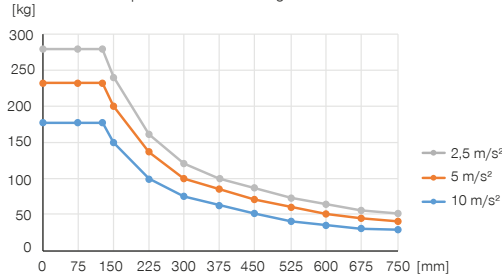
## INSTALLATION SIZE DVR160

### ▶ PRODUCT SPECIFICATIONS



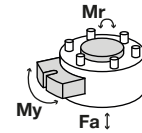
#### ▶ Variable installation position

Shows the maximum handling weight depending on acceleration and lever arm. Does not replace the technical design.



#### ▶ Forces and moments

Shows static forces and moments which may impact on the rotary distributor.



Mr [Nm]	900
My [Nm]	900
Fa [N]	7000

### ▶ INCLUDED IN DELIVERY



6 [piece]  
Cylinder Screw  
C7984100209



4 [piece]  
O-Ring  
COR0070150

### ▶ RECOMMENDED ACCESSORIES



#### ENERGY SUPPLY



**GV1-8X8**  
Straight Fittings - Quick Connect Style



#### ENERGY SUPPLY



**WV1-8X8**  
Angled Fittings - Quick Connect Style

Order no.	Technical data	
	DVR160I4	DVR160I8
Connecting flange according EN ISO 9409-1	TK 160	TK 160
Pneumatic energy transfer [Quantity]*	4	8
Electrical energy transfer	12-pole	12-pole
Max. current [A]	6	6
Max. voltage [V]	250	250
Max. acceleration [m/s <sup>2</sup> ]	20	20
Maximum speed [1/min.]	100	100
Maximum speed [°/s]	600	600
Radial run out +/- [mm]	0.05	0.05
Axial run out +/- [mm]	0.05	0.05
Constant torque [Nm]	4	5
Loose torque [Nm]	5	6
Operating pressure max. [bar]	10	10
Operating temperature [°C]	5 ... +80	5 ... +80
Moment of inertia [kgcm <sup>2</sup> ]	480	580
Protection to IEC 60529	IP64	IP64
Weight [kg]	9.1	11

\*Vacuum possible

