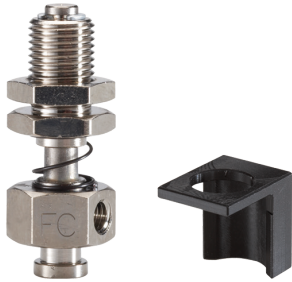


# ADAPTERS + COMPENSATION MODULES

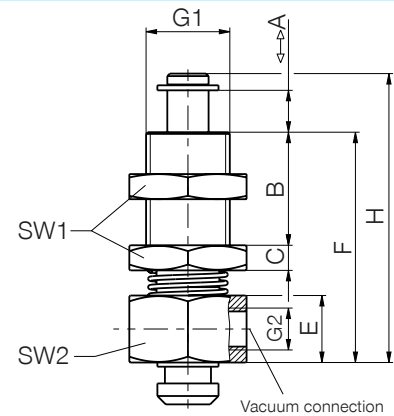
## SERIES F

### ► SERIES F - COMPENSATION MODULES



#### ► Special features

- External thread
- Spring loaded compensator
- Vacuum connection
- Rotation prevention available



#### ► Technical Data

Order no.	FA	FB	FC	FD	FE
Connection type	4	5	1	3	2
G1	M5	M8x1	M10x1	M12x1	M12x1
G2	M5	M5	M5	M5	M5
Dimension A [mm]	4	4	5	10	10
Dimension B [mm]	8	10	13.5	13	13
Dimension C [mm]	3	3	3	4	4
Dimension E [mm]	7	8	8	8	8
Dimension F [mm]	21	24.2	27.5	29	29
Dimension H [mm]	27	30	34.5	41	41
SW1 [mm]	8	10	14	17	17
SW2 [mm]	10	10	14	17	17

### ► ROTATION PREVENTION

#### ► Technical Data

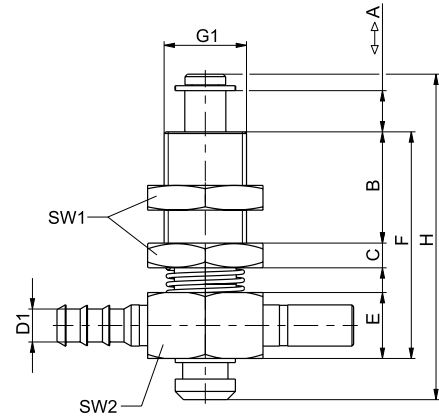
Order no.	FA1	FB1	FC1	FD1
Suitable for	FA	FB	FC	FD/FE

## ► SERIES FV - COMPENSATION MODULES WITH VACUUM GENERATORS



### ► Special features

- External thread
- Spring loaded compensator
- Integrated vacuum generators
- Rotation prevention available



### ► Technical Data

Order no.	FAV	FBV	FCV	FDV	FEV
Connection type	4	5	1	3	2
Air consumption per min. [l norm]	13	13	13	13	13
G1	M5	M8x1	M10x1	M12x1	M12x1
Dimension A [mm]	4	4	5	10	10
Dimension B [mm]	8	10	13.5	13	13
Dimension C [mm]	3	3	3	4	4
Dimension D1 [mm]	2.8	2.8	4	4	4
Dimension E [mm]	7	8	8	8	8
Dimension F [mm]	21	24.2	27.5	29	29.1
Dimension H [mm]	27	30	34.5	41	41
SW1 [mm]	8	10	14	17	17
SW2 [mm]	10	10	14	17	17

## ► ROTATION PREVENTION

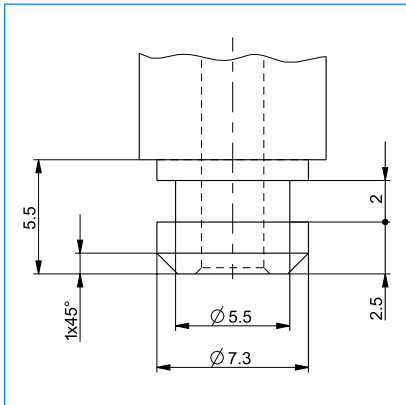
### ► Technical Data

Order no.	FA1	FB1	FC1	FD1
Suitable for	FAV	FBV	FCV	FDV/FEV

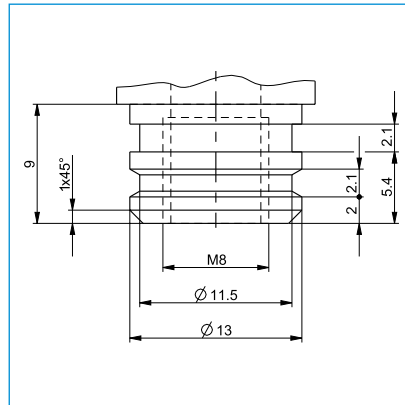
# SUCTION CUPS

## CONNECTION TYPES

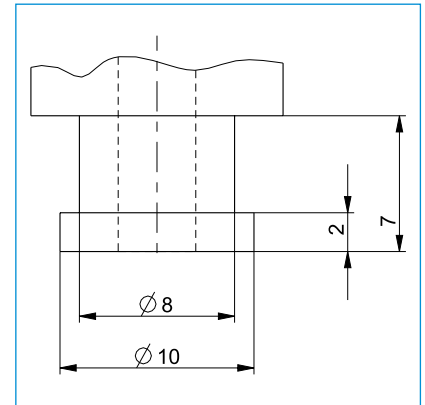
Suction Cups, Adapters and Compensation Modules with the same connection type can be variably combined. Dimensions of each connection type can be taken from drawings given below.



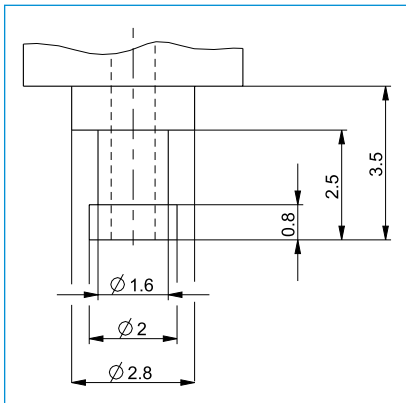
■ Connection type 1



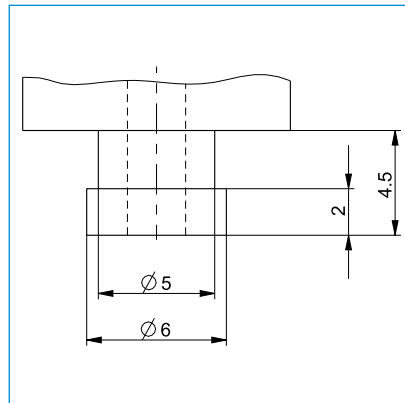
■ Connection type 2



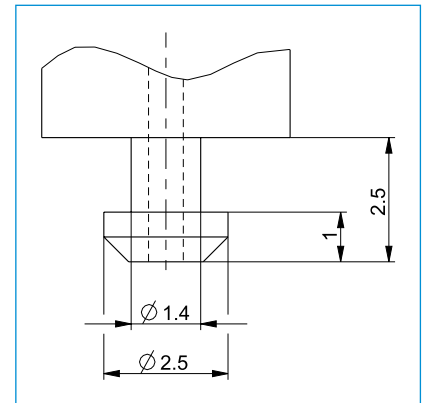
■ Connection type 3



■ Connection type 4



■ Connection type 5



■ Connection type 6