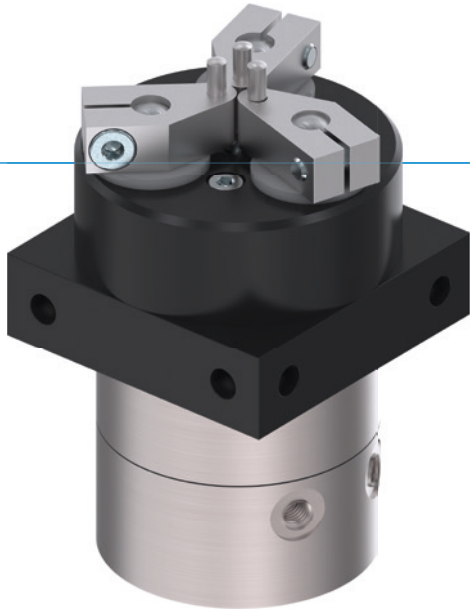


3-JAW CONCENTRIC GRIPPERS

SERIES GD

▶ PRODUCT ADVANTAGES



“The flexible”

▶ Largest stroke in small installation space

You can cover numerous application variants with just one gripper type

▶ Gripper jaws included in the delivery

Reduces your design effort, manufacturing costs and setup time

▶ Smooth stroke configuration

Using the optionally available stroke limit, you can customise the stroke to your application, even stroke sensing is possible

▶ SERIES CHARACTERISTICS

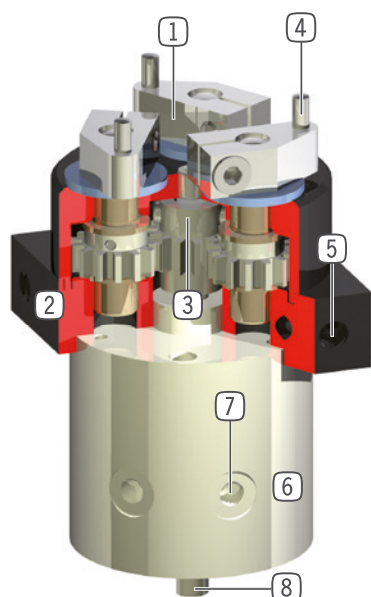
Installation size

GDX

| | | |
|--|---|---|
|  10 Mio | 10 million maintenance-free cycles (max.) | ● |
|  + | Inductive sensor | ● |
|  IP 40 | IP40 | ● |



► BENEFITS IN DETAIL



- ① **Gripping movement on rotation**
 - for various workpiece diameters
- ② **Robust, lightweight housing**
 - Hard-coated aluminum alloy
- ③ **Planetary transmission**
 - synchronized the movement of the gripper jaws
- ④ **Standard pins serve as gripper jaw**
- ⑤ **Mounting and positioning**
 - mounting possible from several sides for versatile positioning
- ⑥ **Drive**
 - double-acting pneumatic cylinder
- ⑦ **Energy supply**
 - possible radial and axial
- ⑧ **Shaft projection**
 - for accessory assembly e.g. sensors

► TECHNICAL DATA

| Installation size | Stroke [°] | Gripping moment [Nm] | Weight [kg] | IP class |
|-------------------|---------------|-------------------------|----------------|----------|
| GD1 | 130 | 0,12 | 0.08 | IP40 |
| GD10 | 180 | 1 | 0.22 | IP40 |
| GD50 | 120 | 9 | 2.7 | IP40 |

► FURTHER INFORMATION IS AVAILABLE ONLINE



All information just a click away at: www.zimmer-group.com. Find data, illustrations, 3D models and operating instructions for your installation size using the order number for your desired product. Quick, clear and always up-to-date.

3-JAW CONCENTRIC GRIPPERS

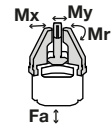
INSTALLATION SIZE GD10

▶ PRODUCT SPECIFICATIONS



▶ Forces and moments

Displays static forces and moments that can also have an effect, besides the gripping force.



| | |
|---------|-----|
| Mr [Nm] | 1 |
| Mx [Nm] | 1 |
| My [Nm] | 0.5 |
| Fa [N] | 30 |

▶ RECOMMENDED ACCESSORIES



ENERGY SUPPLY



GVM5
Straight Fittings - Quick Connect Style



DEV04
Quick Exhaust Valve



DSV1-8
Pressure safety valve



ENERGY SUPPLY



DSV1-8E
Pressure safety valve with quick exhaust



CONNECTIONS / OTHER



DB10
Rotation limiter

▶ RECOMMENDED ACCESSORY ROTATION LIMITER



NJ12-E2S
Inductive proximity switch - Connector M8



AI-M8X1-38
Stop Stroke Adjustment Screws



AI-M8X1-53
Stop Stroke Adjustment Screws



KAG500
Plug-in connector Straight Cable 5m - Socket M8 (female)

| Order no. | GD10 |
|--|------|
| Stroke per jaw [°] | 180 |
| Gripping diameter in closing min. [mm] | 5 |
| Gripping diameter in closing max. [mm] | 45 |
| Gripping diameter in opening min. [mm] | 11 |
| Gripping diameter in opening max. [mm] | 51 |
| Gripping moment in closing [Nm] | 1 |
| Gripping moment in opening [Nm] | 1 |
| Closing time [s] | 0.07 |
| Opening time [s] | 0.07 |
| Repetition accuracy +/- [mm] | 0.05 |
| Operating pressure min. [bar] | 3 |
| Operating pressure max. [bar] | 8 |
| Nominal operating pressure [bar] | 6 |
| Operating temperature min. [°C] | +5 |
| Operating temperature max. [°C] | +60 |
| Air volume per cycle [cm³] | 20 |
| Protection to IEC 60529 | IP40 |
| Weight [kg] | 0.22 |

► Technical data

