

2-JAW PARALLEL GRIPPERS

SERIES GEH6000

1

Series GEH6000 / 2-Jaw Parallel Grippers / electric / Grippers

▶ PRODUCT ADVANTAGES



“The powerful”

▶ 60% more powerful than comparative products

Optimisation of weight and force reduces your application costs since all components can have a smaller scale

▶ Servo drive

Position, speed or force control in combination with a self-locking mechanism guarantee the highest functionality

▶ Multibus

Be flexible: CANopen, DeviceNet or PROFIBUS - You decide what harmonises the best with your system

▶ THE BEST PRODUCT FOR YOUR APPLICATION



▶ Our products love the challenge!

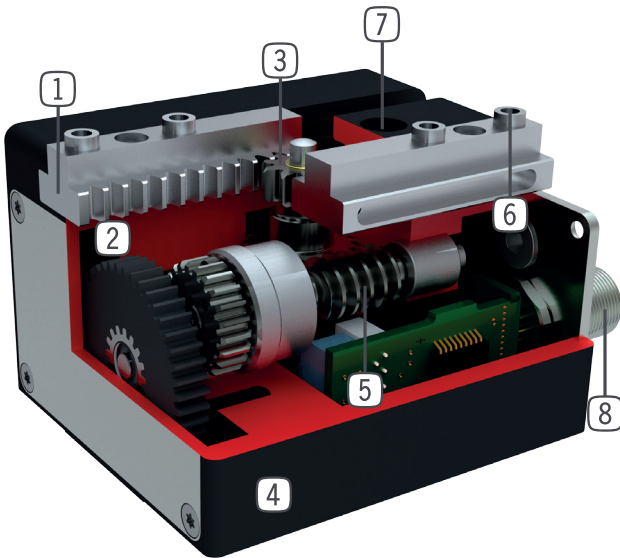
Extreme conditions, all over the world—our tried and tested components and systems give you limitless possibilities:

Find the best product for your specific use:

www.zimmer-group.com



▶ BENEFITS IN DETAIL



- ① **Precise T-Slot guide**
- high forces and moments capacity
- ② **Drive**
- DC-Motor with encoder
- ③ **Rack and pinion gear**
- synchronized the movement of the gripper jaws
- high force transfer
- ④ **Robust, lightweight housing**
- Hard-coated aluminum alloy
- ⑤ **Helical gear - worm gear**
- self locking in case of power drop
- ⑥ **Removable centering sleeves**
- quick and economical positioning of the gripper fingers
- ⑦ **Mounting and positioning**
- mounting possible from several sides for versatile positioning
- ⑧ **Energy supply**
- standardized connector

▶ SERIES CHARACTERISTICS



Number of installation sizes	2
Stroke per jaw	30 mm - 80 mm
Holding force	1000 N - 2000 N
Weight	0,7 kg - 2,6 kg
AP class	3



5 million maintenance-free cycles (max.)



Integrated sensing



IP40



Mechanical self limitation



Purged air

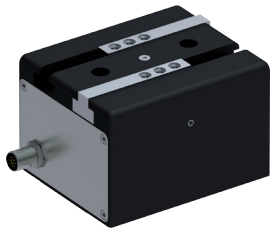
2-JAW PARALLEL GRIPPERS

INSTALLATION SIZE GEH6140

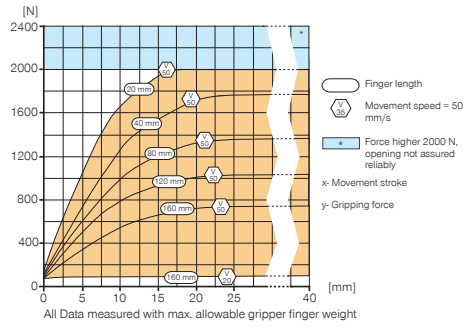
1

Installation size GEH6140 / 2-Jaw Parallel Grippers / electric / Grippers

▶ PRODUCT SPECIFICATIONS

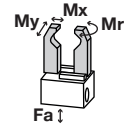


▶ Gripping force diagram



▶ Forces and moments

Displays static forces and moments that can also have an effect, besides the gripping force.



Mr [Nm]	70
Mx [Nm]	80
My [Nm]	60
Fa [N]	1500

▶ INCLUDED IN DELIVERY

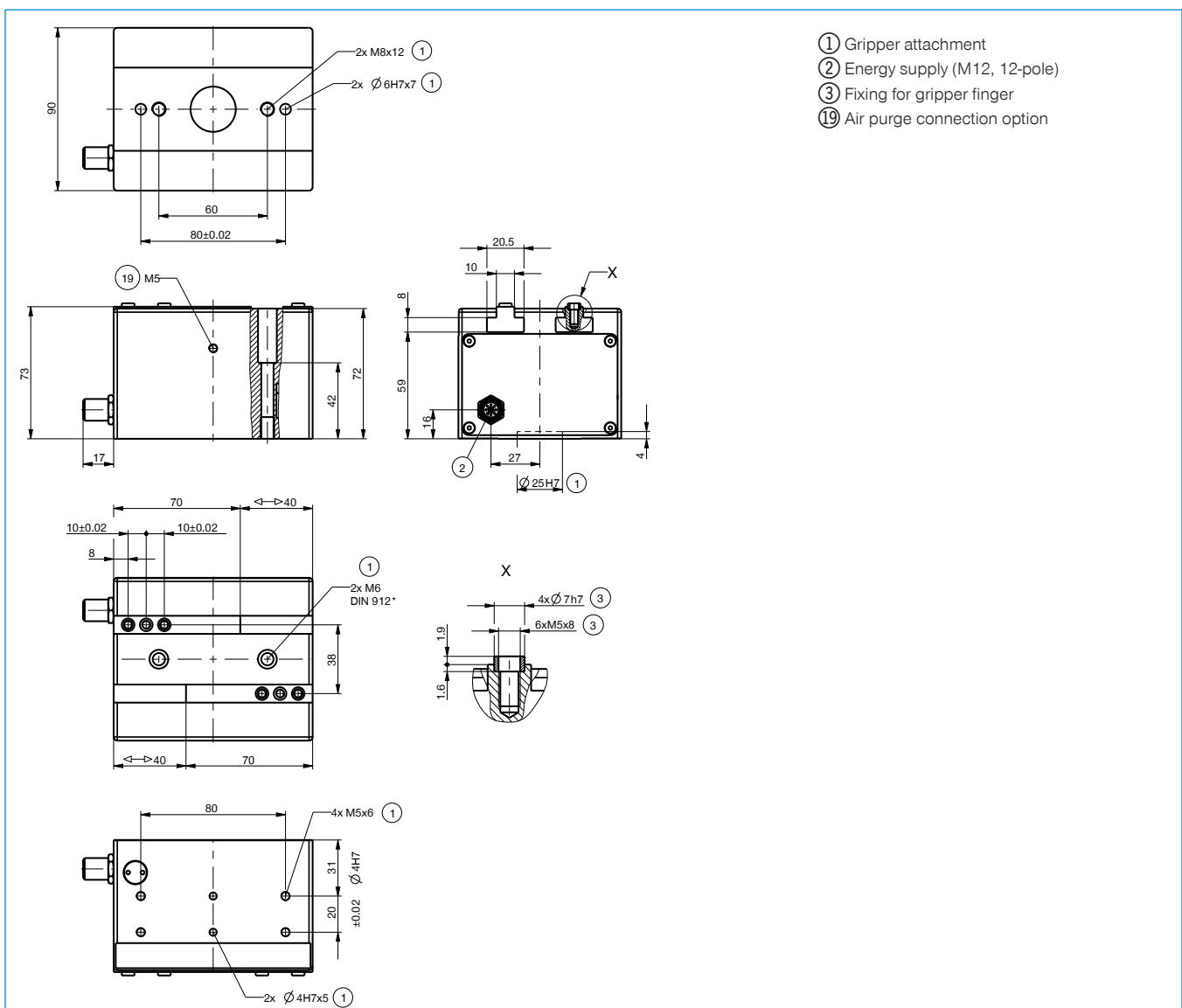


Centering Disc

DST70000

▶ RECOMMENDED ACCESSORIES, SEE PAGE PL

Order no.	Technical Data
Drive	DC-Motor w. encoder
Stroke per jaw, adjustable [mm]	40
Retention force max. [N]	2000
Power transfer	Helical gear / worm gear
Weight per jaw max [kg]	1
Jaw speed in force mode max. [mm/s]	50
Jaw speed in positioning mode max. [mm/s]	65
Repetition accuracy +/- [mm]	0.1
Operating temperature min. [°C]	5
Operating temperature max. [°C]	+80
Protection to IEC 60529	IP40
Weight [kg]	1.8



2-JAW PARALLEL GRIPPERS

GEH6000 SERIES ACCESSORIES

1

GEH6000 series accessories / 2-jaw parallel grippers / electric / Grippers



Order no.	CSTE00033	CSTE00292
Control	Profibus	CANopen, DeviceNet
Protection to IEC 60529	IP65	IP65
Bus terminator	Integrated	Integrated
Fixing types	Field attachable	Field attachable



Order no.	CSTE00044	CSTE00293
Control	Profibus	CANopen, DeviceNet
Protection to IEC 60529	IP65	IP65
Bus terminator	must be connected externally	must be connected externally
Fixing types	5-pin plug/socket	5-pin plug/socket



Order no.	CLTG00065
Application type	Programming cable, for setting parameters and commissioning
Cable length [m]	2.5



Order no.	CLTG00117	CLTG00057	CLTG00118
Application type	Supply cable, for connecting the load and logic supply	Supply cable, for connecting the load and logic supply	Supply cable, for connecting the load and logic supply
Cable length [m]	2.5	5	10



Order no.	CLTG00119	CLTG00060	CLTG00120
Application type	Motor cable, for connecting motor and controller	Motor cable, for connecting motor and controller	Motor cable, for connecting motor and controller
Cable length [m]	2.5	5	10



Order no.	CLTG00121
Application type	Fastening for CREG motor controller...
Packaging unit [Pice]	2

Order no.	CREG00018	CREG00019	CREG00020
General data			
Position indicator	Encoder	Encoder	Encoder
Encoder input	RS485 / RS422, A/B signal with index impulse	RS485 / RS422, A/B signal with index impulse	RS485 / RS422, A/B signal with index impulse
Display	Interface with full text display via graphic LCD display	Interface with full text display via graphic LCD display	Interface with full text display via graphic LCD display
Control element	4 keys	4 keys	4 keys
Control	Profibus DP	CANopen	DeviceNet
Communication profile	Step 7	DS301, DSP402	Device Type 0Ch
Data rate	12	1	0.5
Fastening type	DIN rail, wall or surface holder	DIN rail, wall or surface holder	DIN rail, wall or surface holder
Weight [kg]	0.6	0.6	0.6
Electrical data			
General			
Nominal power [W]	75	75	75
Configuration interface	RS232 / 9600 baud	RS232 / 9600 baud	RS232 / 9600 baud
Load supply			
Load supply nominal voltage [V DC]	24 +/- 10%	24 +/- 10%	24 +/- 10%
Load supply nominal current [A]	3	3	3
Load supply peak current [A]	5	5	5
Logic supply			
Logic supply nominal voltage [V DC]	24 +/- 10%	24 +/- 10%	24 +/- 10%
Logic supply nominal current [A]	0,1	0,1	0,1
Logic supply peak current [A]	0.8	0.8	0.8
Operating and ambient conditions			
I ² t monitoring	Yes	Yes	Yes
Current monitoring	Yes	Yes	Yes
Voltage failure detection	Yes	Yes	Yes
Position error monitoring	Yes	Yes	Yes
Software end position detection	Yes	Yes	Yes
Operating temperature [°C]	0 ... +40	0 ... +40	0 ... +40
Protection to IEC 60529	IP54	IP54	IP54

