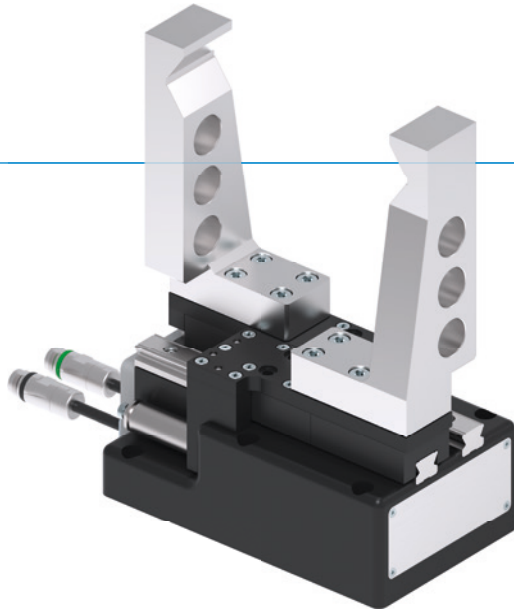


# 2-JAW PARALLEL GRIPPERS WITH LONG STROKE SERIES GEH8000

## ▶ PRODUCT ADVANTAGES



### “The strong”

#### ▶ High gripping force

Using the high gripping force, you can safely handle even the heaviest workpieces

#### ▶ Servo drive

Position, speed and force control in combination with a mechanical self locking mechanism guarantee the highest functionality

#### ▶ Multibus

How you stay flexible: PROFIBUS, SERCOS III, PROFINET IO, EtherNet/IP or EtherCat - You decide what harmonises best with your system

## ▶ SERIES CHARACTERISTICS

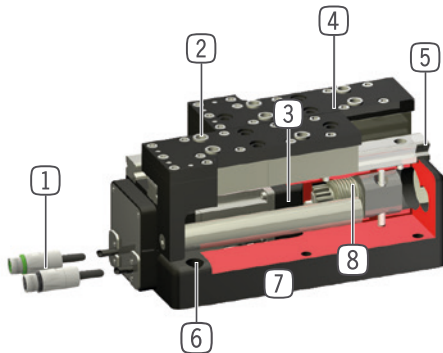
### Installation size

#### GEH86XX-B

<b>PB</b> Profibus	●
<b>PN</b> Profinet, EtherCat, EtherNet/IP, Sercos	●
 10 million maintenance-free cycles (max.)	●
 Integrated sensing	●
 Self locking mechanism	●
<b>IP 54</b> IP54	●



## ► BENEFITS IN DETAIL



- ① **Energy supply**
  - motor cable, male
  - encoder cable, female
- ② **Removable centering sleeves**
  - quick and economical positioning of the gripper fingers
- ③ **Drive**
  - AC servo motor
- ④ **Gripper jaw**
  - hardened steel
  - individual gripper finger mounting
- ⑤ **Precise linear guide**
  - high forces and moments capacity
  - guide wagon with wiper for harsh environments
- ⑥ **Mounting and positioning**
- ⑦ **Robust, lightweight housing**
  - Hard-coated aluminum alloy
- ⑧ **Synchronization**
  - via rack and pinion

## ► TECHNICAL DATA

	Stroke per jaw [mm]	Holding force [N]	Weight [kg]	IP class
Installation size <b>GEH8660</b>	60	200 - 3200	10	IP54

## ► FURTHER INFORMATION IS AVAILABLE ONLINE



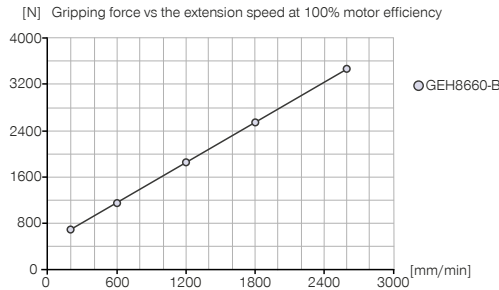
All information just a click away at: [www.zimmer-group.com](http://www.zimmer-group.com). Find data, illustrations, 3D models and operating instructions for your installation size using the order number for your desired product. Quick, clear and always up-to-date.

# 2-JAW PARALLEL GRIPPERS WITH LONG STROKE INSTALLATION SIZE GEH8660

## ▶ PRODUCT SPECIFICATIONS

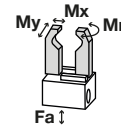


### ▶ Gripping force diagram



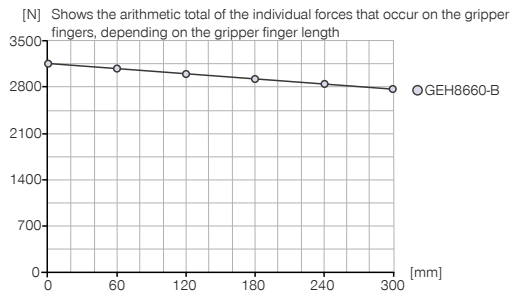
### ▶ Forces and moments

Displays static forces and moments that can also have an effect, besides the gripping force.



Mr [Nm]	220
Mx [Nm]	220
My [Nm]	950
Fa [N]	5000

### ▶ Gripping force diagram



## ▶ INCLUDED IN DELIVERY



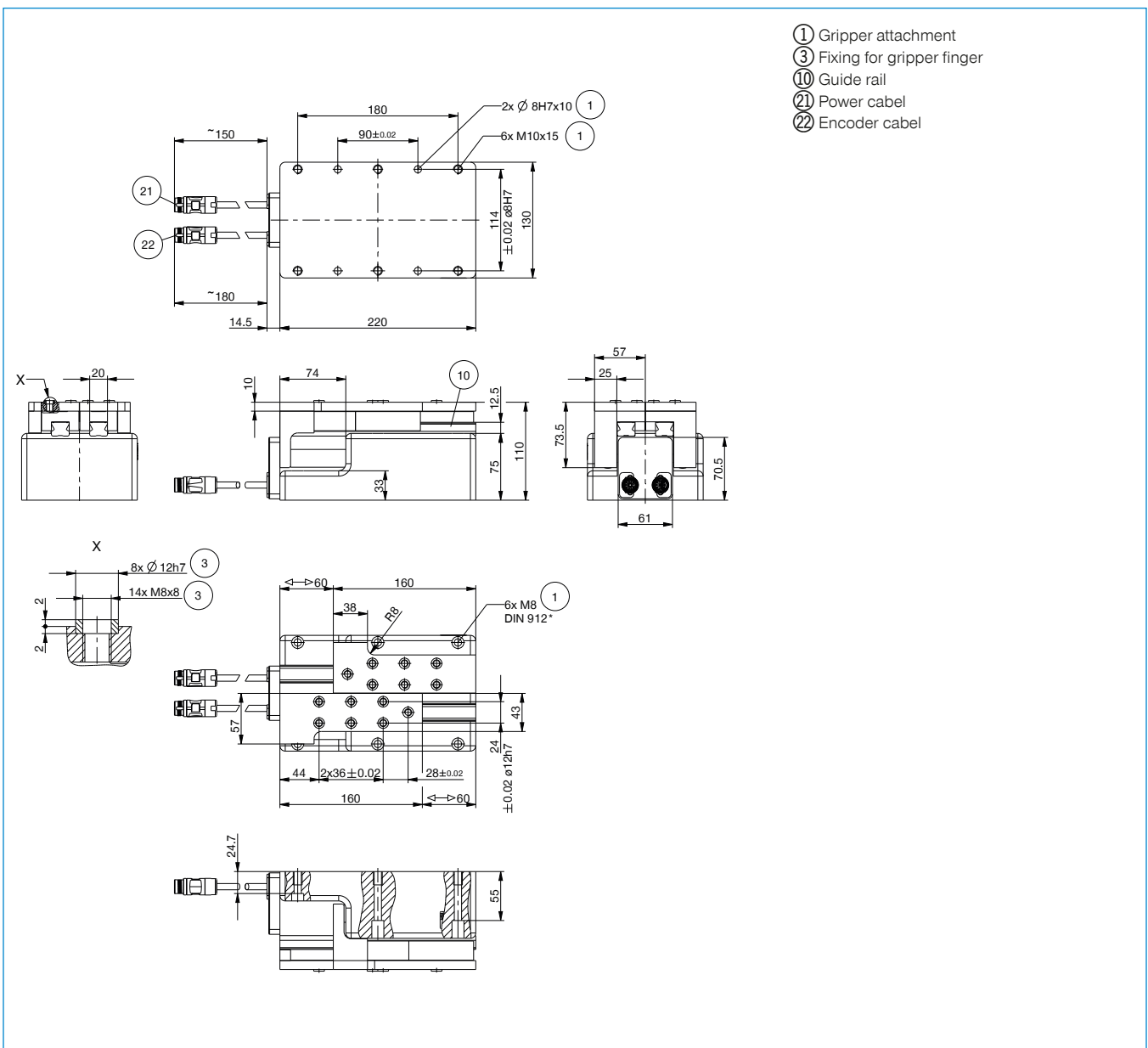
1 [piece]  
Commissioning USB  
**052650**



8 [piece]  
Centering Disc  
**DST41600**

## ▶ YOU CAN FIND RECOMMENDED ACCESSORIES ON THE FOLLOWING PAGES

► Technical data	
<b>Order no.</b>	<b>GEH8660-B</b>
Drive	AC servo motor
Stroke per jaw [mm]	60
Max. retention force (at 100% opening usage) [N]	3200
Retention force min. [N]	200
Self locking mechanism	mechanical
Power transfer	Rack / worm gear
Closing time / Opening time at maximum stroke [s]	1.5
Repetition accuracy +/- [mm]	0.05
Operating temperature min. [°C]	5
Operating temperature max. [°C]	+80
Protection to IEC 60529	IP54
Weight [kg]	9.4
Drive	
Load gear output revolution	49
Load gear input revolution	375
Feed constant [mm/rev]	3.1415



# 2-JAW PARALLEL GRIPPERS WITH LONG STROKE SERIES GEH8000 - ACCESSORIES

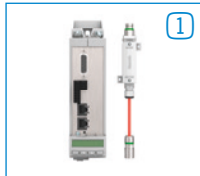
## ▶ RECOMMENDED ACCESSORIES



### ENERGY SUPPLY



**ZUBHCS-B**  
Drive controller Profibus



**ZUBHCSME-B**  
Drive control unit SERCOS III, PROF-INET IO, EtherNet/IP, EtherCAT



**ZUBHCSN**  
Line filter



### CONNECTIONS / OTHER



**ZUBHCSKAG05-B**  
Encoder cable 5 m



**ZUBHCSKAG10-B**  
Encoder cable 10 m



**ZUBHCSKAG25-B**  
Encoder cable 25 m



**ZUBHCSKAP01**  
Programming cable



**ZUBHCSKAL05-B**  
Power cable 5 m



**ZUBHCSKAL10-B**  
Power cable 10 m



**ZUBHCSKAL25-B**  
Power cable 25 m

► **Technical data for motors**

<b>Order no.</b>	<b>MSM019B-0300-NN-M5-MH0</b>
Compatible with	GEH8660
Manufacturer	BOSCH
Nominal torque [Nm]	0,32
Torque max. [Nm]	0.95
Nominal speed [rpm]	3000
Max. speed [rpm]	5000
Protection to IEC 60529	IP54

