

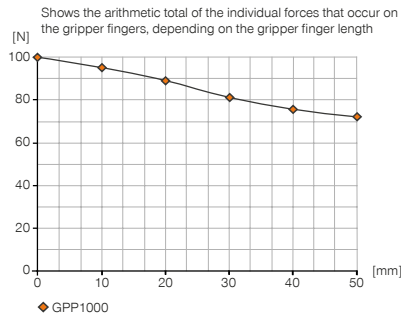
2-JAW PARALLEL GRIPPERS

INSTALLATION SIZE GPP1116

▶ PRODUCT SPECIFICATIONS



▶ Gripping force diagram



▶ Forces and moments

Displays static forces and moments that can also have an effect, besides the gripping force.



Steel top jaws Plastic top jaws

Mr [Nm]	4	1
Mx [Nm]	4	2
My [Nm]	2	1
Fa [N]	400	100

▶ INCLUDED IN DELIVERY



1 [piece]
Plastic top jaws and assembly material
ZUB1100

▶ RECOMMENDED ACCESSORIES



ENERGY SUPPLY



GVM5
Straight Fittings - Quick Connect Style



WVM5
Angled Fittings - Quick Connect Style



SENSORS



MFS1000SKHR
PNP Magnetic field sensor Straight Cable 0,3 m - Connector M8



SENSORS



MFS1000SKHR-NPN
NPN Magnetic field sensor Straight Cable 0,3 m - Connector M8



CONNECTIONS / OTHER



AP1100
MCS Adapter plate

▶ RECOMMENDED ACCESSORY MCS ADAPTER PLATE

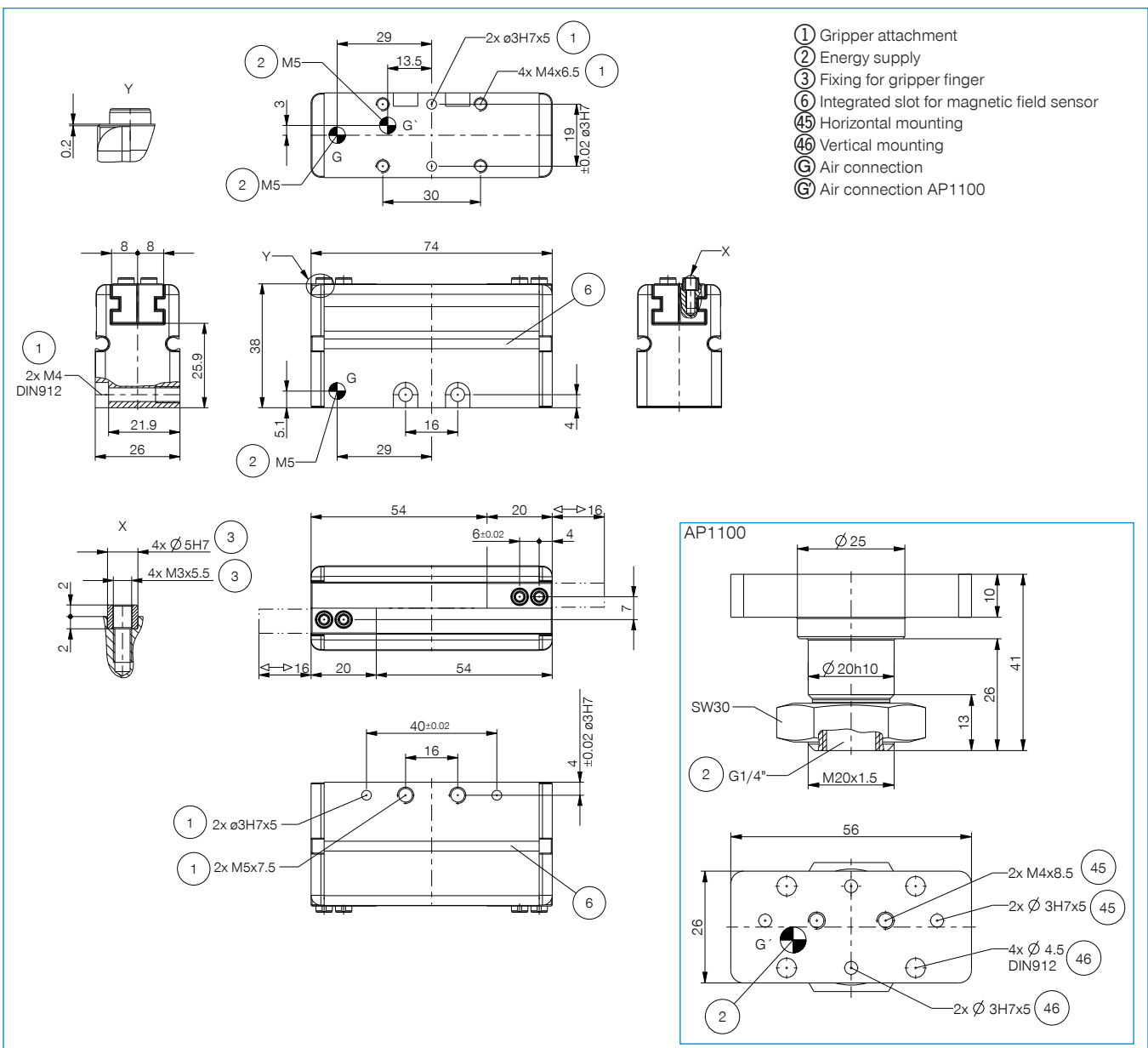


GV1-4X6
Straight Fittings - Quick Connect Style



WV1-4X6
Angled Fittings - Quick Connect Style

Order no.	Technical data
	GPP1116CO-00-A
Stroke per jaw [mm]	16
Grip force in grip direction min. [N]	100
Travel time in gripping direction [ms]	30
Reset time using spring [ms]	100
Dead weight of mounted gripper finger max. [kg]	0.1
Repetition accuracy +/- [mm]	0.05
Operating pressure [bar]	2 ... 6
Nominal operating pressure [bar]	6
Operating temperature [°C]	+5 ... +60
Air volume per cycle [cm³]	5.6
Protection to IEC 60529	IP30
Weight [kg]	0.22



2-JAW PARALLEL GRIPPERS

SERIES GPP1000




▶ PRODUCT ADVANTAGES



“Cost-effective”

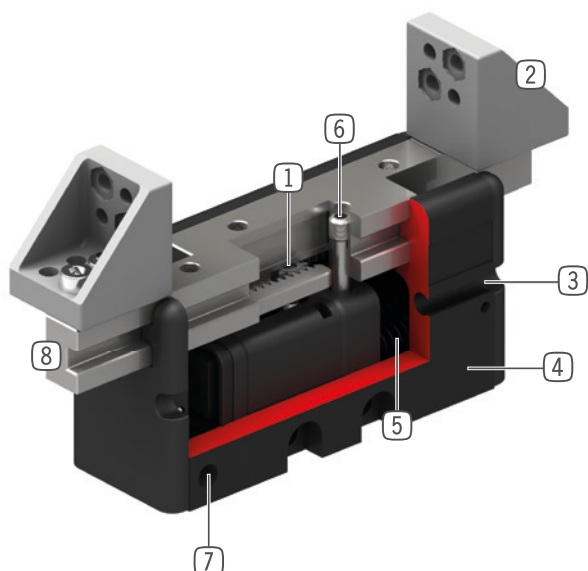
- ▶ Parallel gripper with an unbeatable price/performance ratio
- ▶ Gripper jaw set and fixation material included
- ▶ Can be configured for spring opening or spring closing
- ▶ One installation size, three strokes: 4, 8 and 16 mm per gripper jaw
- ▶ Gripping force of 100 N
- ▶ Service life of up to 2 million cycles

▶ SERIES CHARACTERISTICS

Installation size	Version	
GPP11XX	CO	
 2 million maintenance-free cycles (max.)	●	
 Magnetic field sensor	●	
 IP30	●	



► BENEFITS IN DETAIL



- ① **Synchronization**
 - via rack and pinion
- ② **Intermediate jaws**
 - incl. mounting material
 - included in scope of delivery
- ③ **Sensing**
 - mounting and positioning of magnetic field sensors
- ④ **Lightweight housing**
 - Hard-coated aluminum alloy
- ⑤ **Single-acting pneumatic cylinder**
 - Spring return
- ⑥ **Jaw slave screw**
 - for changing the gripper's direction of force
- ⑦ **Energy supply**
 - possible from several sides
- ⑧ **Gripper jaw**
 - for connecting the intermediate jaw or an individual gripper finger via centering sleeves

► TECHNICAL DATA

	Stroke per jaw	Gripping force	Weight	IP class
Installation size	[mm]	[N]	[kg]	
GPP1100	4 - 16	100	0,16 - 0,20	IP30

► FURTHER INFORMATION IS AVAILABLE ONLINE



All information just a click away at: www.zimmer-group.com. Find data, illustrations, 3D models and operating instructions for your installation size using the order number for your desired product. Quick, clear and always up-to-date.