

# O-RING ASSEMBLY GRIPPERS, INNER

## SERIES GSI

### ▶ PRODUCT ADVANTAGES



#### ▶ Concentration on the essentials

Only pay for what you need - individual standard gripper specific to O-ring inside assembly

#### ▶ Adjustable expanding stroke

Prevents the O-ring from overexpanding and ensures consistent production quality

#### ▶ Query about magnetic field sensor technology

Detecting the end position allows you to have shorter cycle times and an integrated control system

### ▶ SERIES CHARACTERISTICS

#### Installation size

#### GSIXX



5 million maintenance-free cycles (max.)



Magnetic field sensor

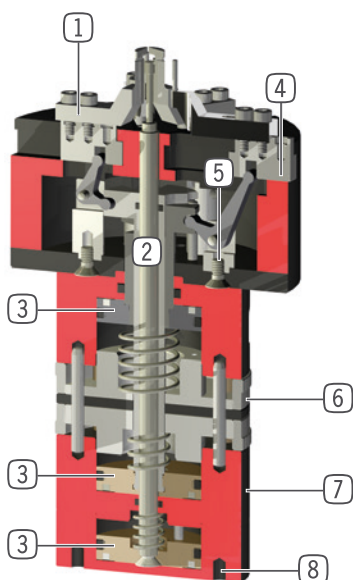


IP30





## ► BENEFITS IN DETAIL



- 1 Spread jaws**
  - to position the O-ring in the groove of the workpiece
- 2 Ejector (piston rod)**
  - to remove the O-ring
- 3 Driven by three single-acting pneumatic cylinders**
  - drive for grabber jaws
  - drive for spread jaws
  - drive for ejector
- 4 Grabber jaw**
  - to grab the O-ring
- 5 Force transfer**
  - via lever and connecting rod
- 6 Stroke adjustment on grabber jaws**
  - prevents overstretching of O-ring during assembly
- 7 Stroke on spread jaws**
  - adjustable to fit bore diameter of workpiece
- 8 Mounting and positioning**
  - axial, on the gripper bottom

## ► TECHNICAL DATA

	Opening stroke adjustable per jaw [mm]	Recommended O-ring diameter [mm]	Weight [kg]	IP class
<b>Installation size</b> GSI206	1 - 6	11 - 130	1.1	IP30

## ► FURTHER INFORMATION IS AVAILABLE ONLINE



All information just a click away at: [www.zimmer-group.com](http://www.zimmer-group.com). Find data, illustrations, 3D models and operating instructions for your installation size using the order number for your desired product. Quick, clear and always up-to-date.

# O-RING ASSEMBLY GRIPPERS, INNER

## INSTALLATION SIZE GSI206

### ▶ PRODUCT SPECIFICATIONS



### ▶ INCLUDED IN DELIVERY



12 [piece]  
Centering Disc  
**DST06510**

### ▶ RECOMMENDED ACCESSORIES



#### ENERGY SUPPLY



**GVM5**  
Straight Fittings - Quick Connect Style



#### SENSORS



**MFS01-K-KHC-P1-PNP**  
Magnetic field sensor angled, cable 5 m



**MFS01-S-KHC-P1-PNP**  
Magnetic field sensor angled, cable 0.3 m - M8 connector



#### CONNECTIONS / OTHER



**KAG500**  
Plug-in connector Straight Cable 5m - Socket M8 (female)



**KAW500**  
Plug-in connector Angled Cable 5m - Socket M8 (female)



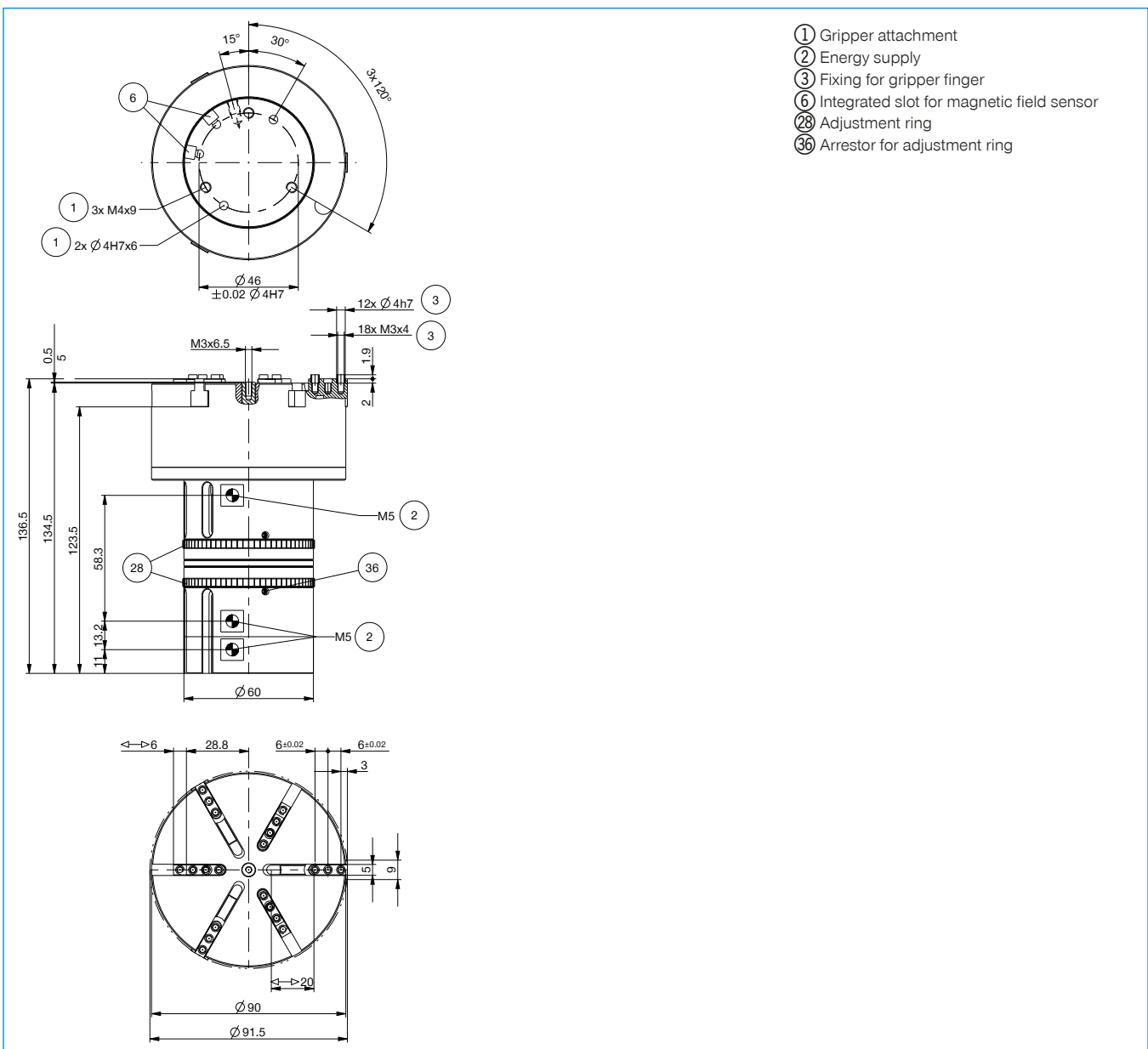
**S8-G-3**  
Plug-in connector customizable Straight - Connector M8



**S12-G-3**  
Plug-in connector customizable Straight - Connector M12



Order no.	Technical data
	<b>GSI206</b>
Stroke adjustable per jaw min. [mm]	6
Stroke adjustable per jaw max. [mm]	20
Opening stroke adjustable per jaw min. [mm]	1
Opening stroke adjustable per jaw max. [mm]	6
Stripping stroke [mm]	5
Opening force [N]	240
Possible O-ring diameter at cord size 1 [mm]	45
Possible O-ring diameter at cord size 2 [mm]	130
Possible O-ring diameter at cord size 3 [mm]	130
Possible O-ring diameter at cord size 4 [mm]	110
Number of gripping jaws [Quantity]	6
Operating pressure min. [bar]	3
Operating pressure max. [bar]	8
Nominal operating pressure [bar]	6
Operating temperature min. [°C]	5
Operating temperature max. [°C]	+80
Protection to IEC 60529	IP30
Weight [kg]	1.1



- ① Gripper attachment
- ② Energy supply
- ③ Fixing for gripper finger
- ⑥ Integrated slot for magnetic field sensor
- Ø28 Adjustment ring
- Ø36 Arrestor for adjustment ring

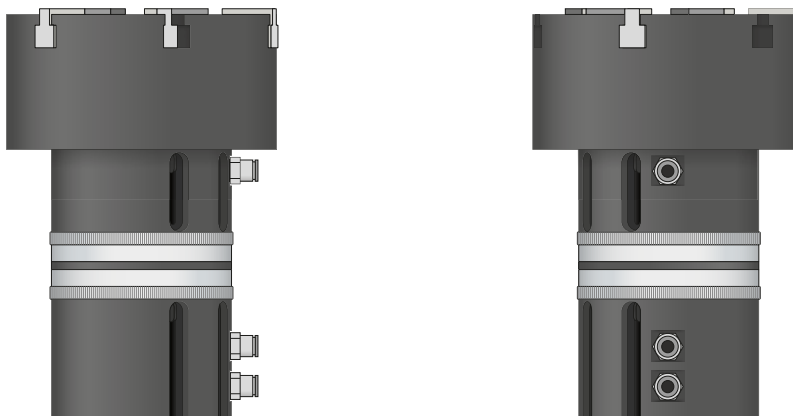


# O-RING ASSEMBLY GRIPPER, INNER

## SERIES GSI FUNCTIONAL DESCRIPTION



### ENERGY SUPPLY



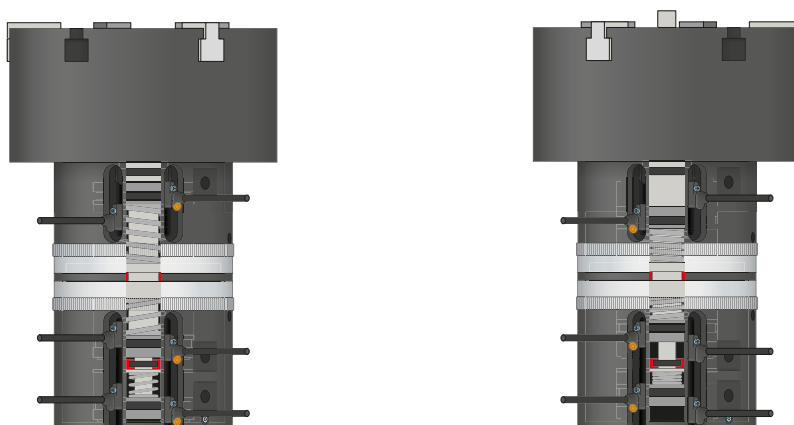
### Pneumatic threaded connections

Available in straight and angled design. Can be chosen freely depending on the space conditions or installation situation.



### SENSORS

MFS01



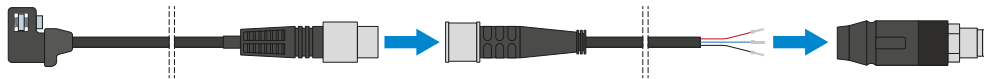
### 1-point magnetic field sensors – MFS

#### For non-contact sensing of the piston position

The sensor is clamped in the C-groove of the gripper and detects the magnet attached to the gripper jaws. The MFS01 is available in versions with 5 m cables with exposed leads and 0,3 m cable with connector.



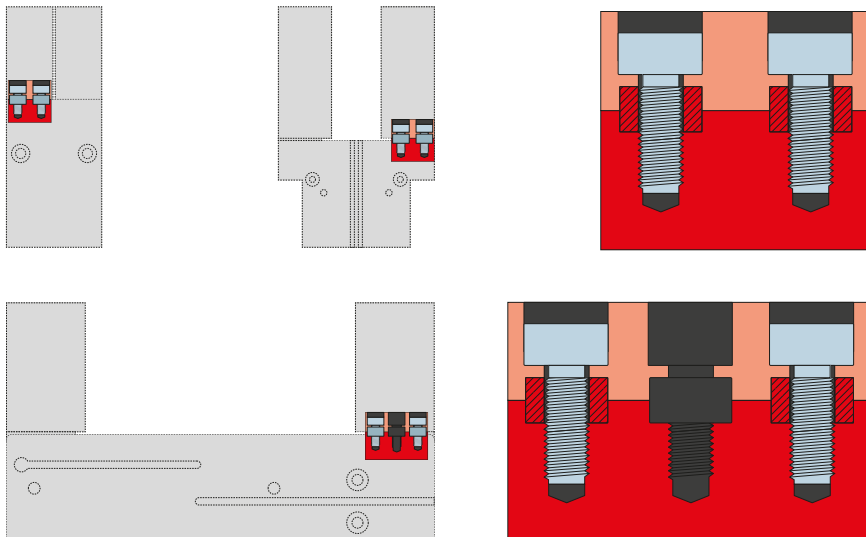
## CONNECTIONS / OTHER



### Plug-in connectors

#### For extending and fabricating the connection lines for the sensors

Cables with a length of 5 m with exposed leads are available. Depending on the specific needs, the cables can be shortened or fabricated with connectors in sizes M8 and M12.



### Centering sleeves

#### For defined position measurement of the gripper fingers

The centering sleeves are inserted into the fits of the gripper jaws to define the position of the gripper fingers. The centering sleeves are comparable to a pin connection.