

# 2-JAW ANGULAR GRIPPERS

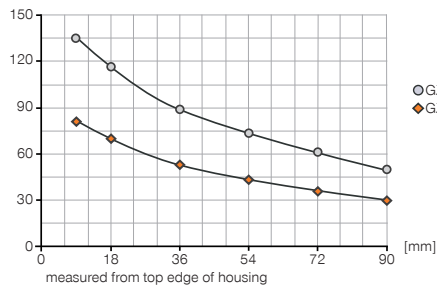
## INSTALLATION SIZE GZ25-35D

### ▶ PRODUCT SPECIFICATIONS



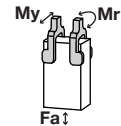
#### ▶ Gripping force diagram

[N] Gripping force as a function finger length.



#### ▶ Forces and moments

Displays static forces and moments that can also have an effect, besides the gripping force.



Mr	0.5
My	0.8
Fa	50

### ▶ RECOMMENDED ACCESSORIES



Straight Fittings - Quick Connect Style

**GVM5**



Inductive proximity switch - Cable 5 m

**NJ3-E2**



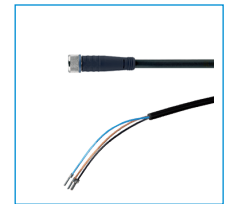
Inductive Proximity Switch Cable 0,3 m - Connector M8

**NJ3-E2SK**



Mounting block

**KB3M**



Plug-in connector Straight Cable 5m - Socket M8 (female)

**KAG500**



Plug-in connector customizable Straight - Connector M8

**S8-G-3**

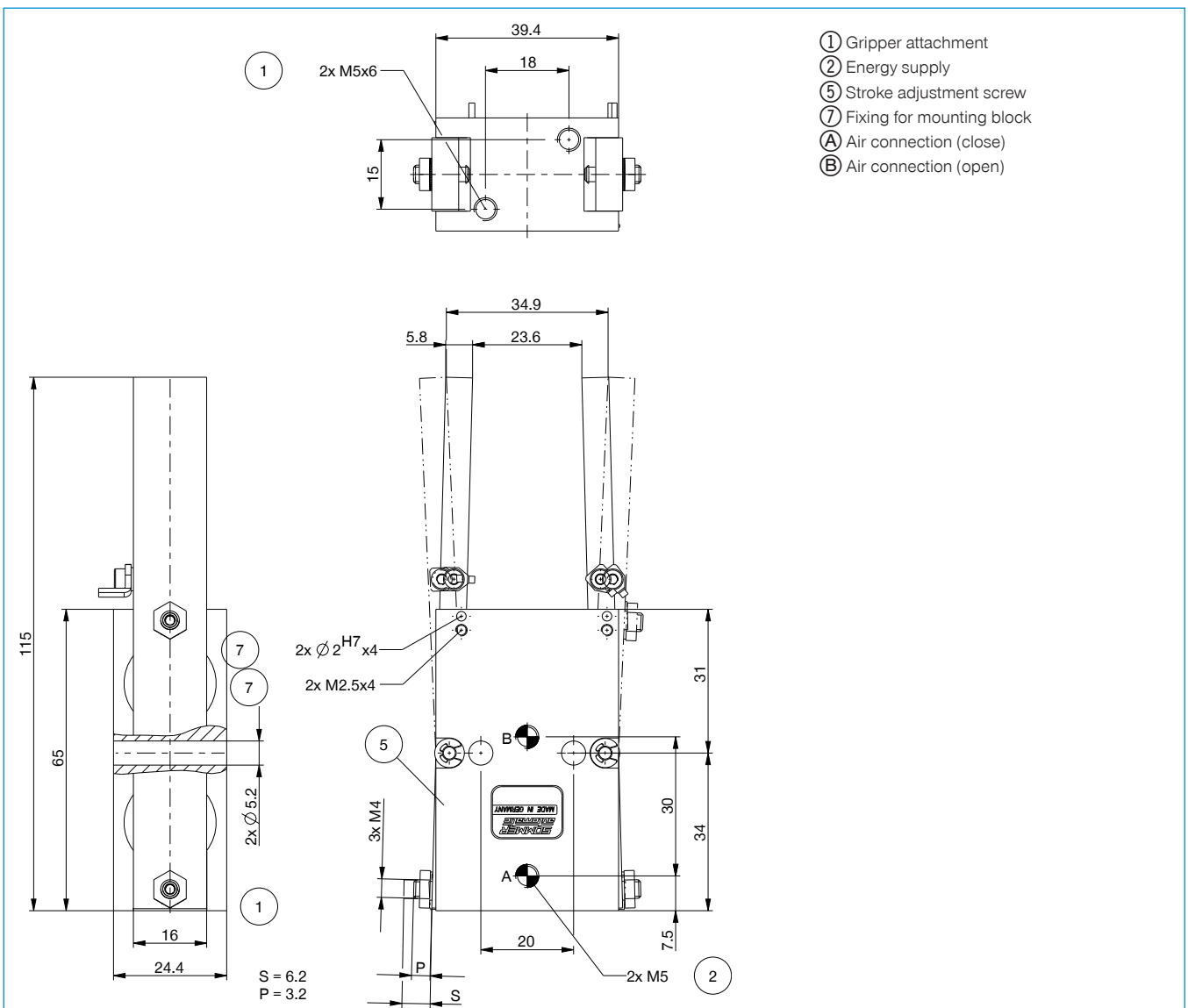


Plug-in connector customizable Straight - Connector M12

**S12-G-3**

► Technical Data*	
<b>Order no.</b>	<b>GZ25-35D</b>
Stroke per jaw [°]	4
Gripping moment in closing [Nm]	5.4
Gripping moment in opening [Nm]	3.4
Gripping force in closing [N]	135
Gripping force in opening [N]	85
Closing time [s]	0.03
Opening time [s]	0.03
Repetition accuracy +/- [mm]	0.1
Operating pressure min. [bar]	4
Operating pressure max. [bar]	8
Operating temperature min. [°C]	5
Operating temperature max. [°C]	80
Air volume per cycle [cm³]	12
Weight [kg]	0.263

\*All data measured at 6 bar



- ① Gripper attachment
- ② Energy supply
- ⑤ Stroke adjustment screw
- ⑦ Fixing for mounting block
- A Air connection (close)
- B Air connection (open)