

MAGNETIC GRIPPER

SERIES HM1000

▶ PRODUCT ADVANTAGES



▶ **Secure hold during EMERGENCY STOP**

Magnets attached to springs ensure your workpiece remains secure, even during a drop in pressure



▶ **Contact plate that increases friction value**

The replaceable O-ring ensures the high dynamics in your application and protection of your workpiece

▶ **Residual holding force < 1N**

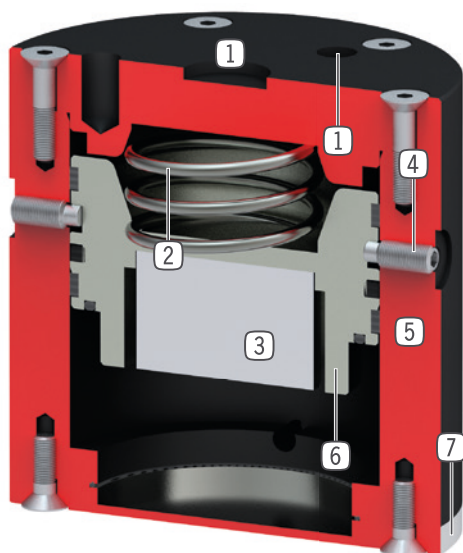
The demagnetised contact surface safeguards the process reliability of dropping off your workpiece

▶ SERIES CHARACTERISTICS

| Installation size | Version |
|---|---------|
| HM10XX | NC |
|  5 million maintenance-free cycles (max.) | ● |
|  IP30 | ● |



► BENEFITS IN DETAIL



- ① **Mounting and positioning**
 - via centering sleeve and thread
- ② **Spring**
 - for piston return
 - secured holding even in drop pressure
- ③ **Permanent magnet**
 - requires no power supply
 - high holding forces
- ④ **Transport safeguarding**
- ⑤ **Robust, lightweight housing**
 - Hard-coated aluminum alloy
- ⑥ **single-acting pneumatic cylinders**
 - only one pneumatic line required
 - Spring return
- ⑦ **Contact plate**
 - easy replaceable
 - embedded O-ring to increase the friction coefficient

► TECHNICAL DATA

| Installation size | Retention force max. | Weight | IP class |
|-------------------|----------------------|--------|----------|
| | [N] | [kg] | |
| HM1030 | 27 | 0.059 | IP30 |
| HM1046 | 65 | 0.25 | IP30 |
| HM1078 | 220 | 1.2 | IP30 |
| HM1097 | 450 | 2.2 | IP30 |

► FURTHER INFORMATION IS AVAILABLE ONLINE



All information just a click away at: www.zimmer-group.com. Find data, illustrations, 3D models and operating instructions for your installation size using the order number for your desired product. Quick, clear and always up-to-date.

MAGNETIC GRIPPER

INSTALLATION SIZE HM1046

▶ PRODUCT SPECIFICATIONS



▶ RECOMMENDED ACCESSORIES



ENERGY SUPPLY



GVM5
Straight Fittings - Quick Connect Style



CONNECTIONS / OTHER



KG40ST
Ball Joints Steel



CONNECTIONS / OTHER



KG40
Ball Joints



ZE10H7X6
Centering Disc

| Order no. | ▶ Technical data |
|---|------------------|
| Retention force max. [N] | 65 |
| Operating pressure min. [bar] | 3 |
| Operating pressure max. [bar] | 8 |
| Operating temperature min. [°C] | 5 |
| Operating temperature max. [°C] | +80 |
| Air volume per cycle [cm ³] | 9 |
| Protection to IEC 60529 | IP30 |
| Weight [kg] | 0.25 |

