

2-JAW PARALLEL GRIPPERS WITH LONG STROKE

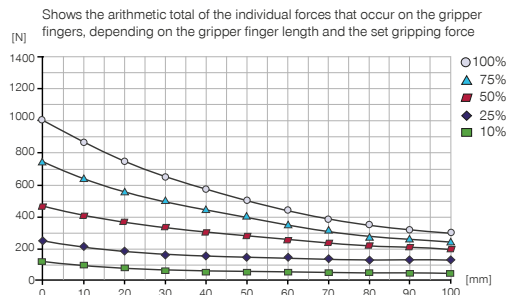
LWR50L-21-00002-A

▶ PRODUCT SPECIFICATIONS



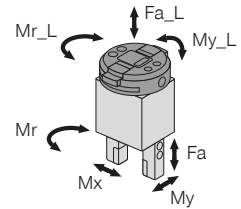
MATCH

▶ Gripping force diagram



▶ Forces and moments

Shows static forces and moments



Mr_L [Nm]	20	Mr [Nm]	35
My_L [Nm]	40	Mx [Nm]	35
Fa_L [N]	500	My [Nm]	35
		Fa [N]	500

▶ Technical data

LWR50L-21-00002-A

Order no.

General data

Control	IO-Link
Operating temperature [°C]	5 ... +50
Protection to IEC 60529	IP40
Weight [kg]	1.3

Tool changer specific data

Electrical energy transfer	integrated
Locking stroke [mm]	1
Repetition accuracy in X, Y [mm]	0.05
Repetition accuracy in Z [mm]	0.05
Tightening force [N]	50
Release force [N]	0
Offset at coupling max. in X,Y [mm]	1.0

Gripper specific data

Suitable for series	LWR50F-xx-03/04/05
Cable management	external
Type of drive	electrical
Drive	BLDC motor
Position sensing	integrated
Position sensing using process data	Yes
Stroke per jaw, adjustable [mm]	60
Gripping force min. [N]	100
Nominal gripping force [N]	1000
Control time [s]	0.1
Dead weight of mounted gripper finger max. [kg]	0.3
Length of the gripper fingers max. [mm]	100
Jaw speed in positioning mode max. [mm/s]	60
Repetition accuracy +/- [mm]	0.02
Voltage [V]	24
Current consumption max. [A]	5
Minimum positioning path per jaw [mm]	3

▶ RECOMMENDED ACCESSORIES



CONNECTIONS / OTHER

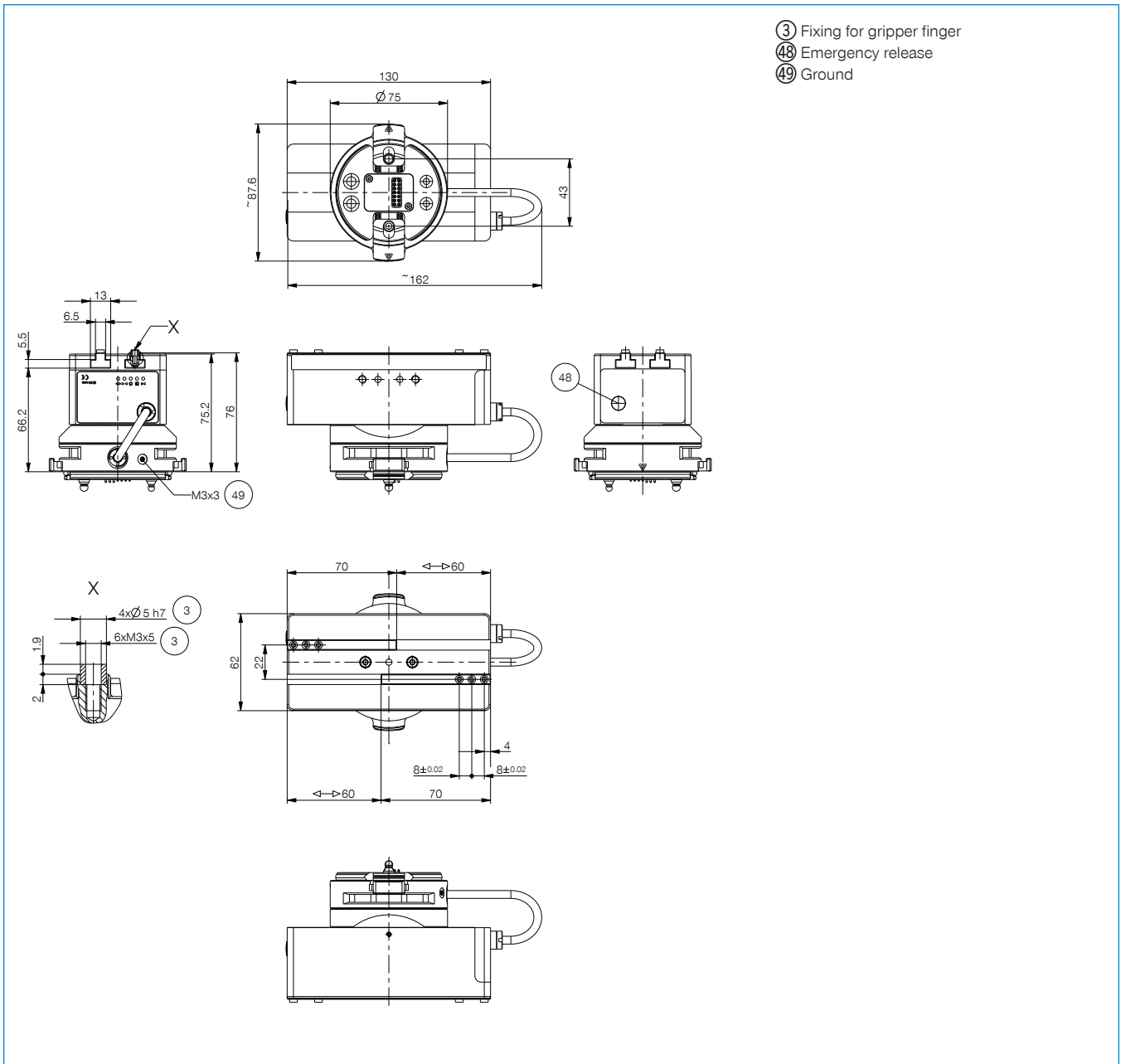


ALWR1-50-A
MATCH - Storage station

▶ RECOMMENDED ACCESSORY STORAGE STATION



NJ5-E2SK-01
Inductive Proximity Switch Cable 0,3 m - Connector M8



- ③ Fixing for gripper finger
- ④⑧ Emergency release
- ④⑨ Ground

