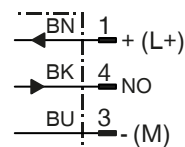
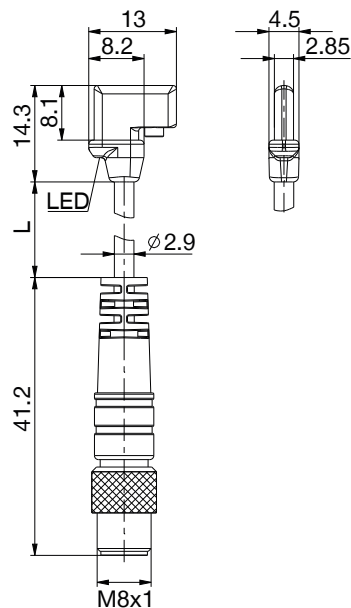


MAGNETIC FIELD SENSORS

MFS01-S-KHC-P1-PNP



Connection diagram



PIN assignment

Order no.	MFS01-S-KHC-P1-PNP
General data	
Cylinder design	C-slot
Damper housing length [mm]	13
Switching output	PNP
Switching frequency [Hz]	1000
Switching function	Normally open (NO)
Electrical version	DC 3-wire
Protection to IEC 60529	IP68
CE – Market approval for Europe	Yes
UKCA – Market approval for the United Kingdom	Yes
Electrical / Mechanical data	
Supply voltage [V DC]	10 ... 30
Current consumption [mA]	≤8
Voltage drop [V]	≤2.5
Continuous current [mA]	≤100
Response sensitivity typ. [mT]	1.7
Overrun distance typ. [mm]	2
Typical hysteresis [mT]	≤0.4
Reproducibility [mT]	≤0.1
Protected against polarity reversal	Yes
Short-circuit-proof	Yes
Power-up pulse protection	Yes
Ambient temperature range [°C]	-30 ... +80
Shock and vibration resistance	30 g, 11 ms / 10 ... 55 Hz, 1 mm
Housing Material	Plastics
Connection type	Cable/Connector
Fixing thread	M8
Cable length [m]	0.3
Nr. of wires x diameter [mm ²]	3x0.14
Cable sheath material	PUR
Bending radius for fixed routing, min.	3xØ
Bending radius when using a drag chain, min.	5xØ