

SUCTION CUPS

SERIES SM / HS / SGF

1

Series SM / HS / SGF / Suction cups

► SERIES SM - VACUUM CUPS

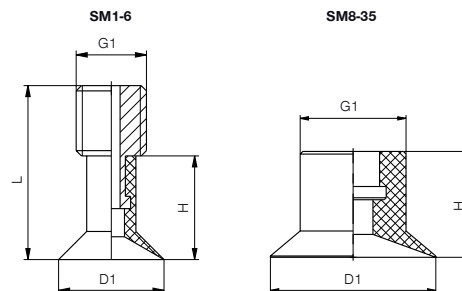


► Range of applications

Flat and slightly curved surfaces

► Special features

Suction diameter from 1 mm



► Technical Data

Versions	Material	Color	Heat Resistant	Shore hardness	Add to part no.
Standard	Nitrile rubber	black	-20° C - +110° C	65 +/- 3	-
Antistatic	Nitrile rubber	black	-20° C - +110° C	65 +/- 3	NA (e.g. SM1NA)
Heat-resistant	Caoutchouc silicone	blue	-55° C bis +180° C	60 +/- 5	SI (e.g. SM1SI)
Food-handling	Caoutchouc silicone	white	-55° C bis +180° C	60 +/- 5	L (e.g. SM1L)
Antistatic	Caoutchouc silicone	black	-20° C bis +150° C	55 +/- 5	SA (e.g. SM1SA)
Low-wear	Polyurethan	red	-20° C bis +150° C	82 +/- 5	on request

► Technical Data

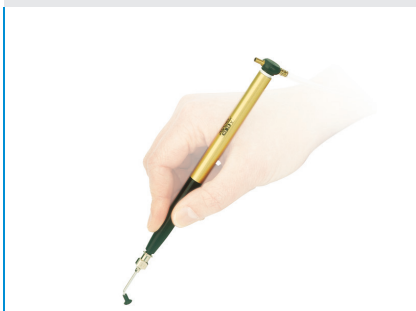
Order no.	SM1	SM2	SM3	SM4	SM5	SM6	SM8	SM10
Vacuum force theoretical [N]*	<0.1	0.3	0.6	1	1.6	2.3	4	6
Volume [cm³]	0.01	0.01	0.01	0.01	0.02	0.03	0.1	0.2
Connection type	4/6	4/6	4/6	4/6	4/6	4/6	5	5
G1	M4	M4	M4	M4	M4	M4		
Dimension D1 [mm]	1	2	3	4	5	6	8	10
Dimension D2 [mm]							10	10
Dimension H [mm]	6	6	6	6	6	6	10	10
Dimension L [mm]		10	10	10	10	10		

► Technical Data

Order no.	SM12	SM15	SM18	SM20	SM25	SM30	SM35
Vacuum force theoretical [N]*	9	14	20	25	39	57	77
Volume [cm³]	0.2	0.4	0.5	0.6	1.3	1.8	2.6
Connection type	5	1	1	1	3	3	3
G1							
Dimension D1 [mm]	12	15	18	20	25	30	35
Dimension D2 [mm]	10	12	12	12	16	16	16
Dimension H [mm]	10	12.5	12.5	12.5	16	16	16
Dimension L [mm]							

*at 0.8 bar Vacuum

► SERIES HS - HAND-HELD VACUUM



► Special features

Integrated ventur nozzle as vacuum generator, vacuum can be applied or removed by hand

Possible to combine with suction cups SM1 bis SM6

► Technical Data

Order no.	HS10
Air consumption per min. [l norm]	13

► **SERIES SGF - VACUUM CUPS**

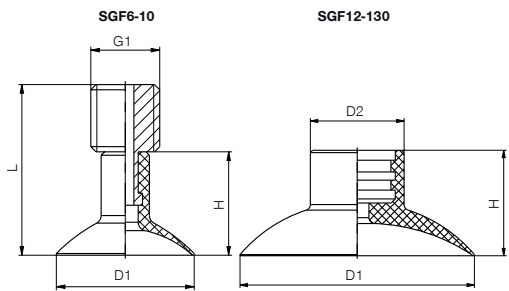


► **Range of applications**

Flat and slightly curved surfaces

► **Special features**

Suction diameter from 6 mm



► **Technical Data**

Versions	Material	Color	Heat Resistant	Shore hardness	Add to part no.
Standard	Nitrile rubber	black	-20° C - +110° C	65 +/- 3	-
Antistatic	Nitrile rubber	black	-20° C - +110° C	65 +/- 3	NA (e.g. SGF6NA)
Heat-resistant	Caoutchouc silicone	blue	-55° C bis +180° C	60 +/- 5	SI (e.g. SGF6SI)
Food-handling	Caoutchouc silicone	white	-55° C bis +180° C	60 +/- 5	L (e.g. SGF6L)
Antistatic	Caoutchouc silicone	black	-20° C bis +150° C	55 +/- 5	SA (e.g. SGF6SA)
Low-wear	Polyurethan	red	-20° C bis +150° C	82 +/- 5	on request

► **Technical Data**

Order no.	SGF6	SGF8	SGF10	SGF12	SGF15	SGF18	SGF22
Vacuum force theoretical [N]*	2	4	6	9	13	19	29
Volume [cm³]	0.02	0.05	0.07	0.3	0.4	0.6	1.0
Connection type	4/6	4/6	4/6	1	1	1	1
G1	M4	M4	M4				
Dimension D1 [mm]	6	8	10	12	15	18	22
Dimension D2 [mm]				10	10	10	10
Dimension H [mm]	6	6	6	11	11	12	12
Dimension L [mm]	10	10	10				

► **Technical Data**

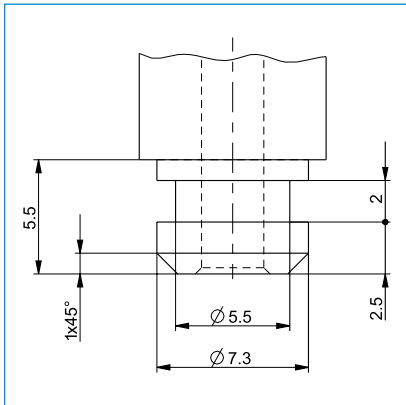
Order no.	SGF25	SGF30	SGF35	SGF40	SGF60	SGF85	SGF130
Vacuum force theoretical [N]*	38	55	75	99	217	441	1042
Volume [cm³]	2	2.5	3.2	4.8	9.5	30	89
Connection type	2	2	2	2	2	2	2
G1							
Dimension D1 [mm]	25	30	35	40	60	85	130
Dimension D2 [mm]	16	16	16	16	16	24.5	24.5
Dimension H [mm]	15	15	15	18	23	28	35
Dimension L [mm]							

*at 0.8 bar Vacuum

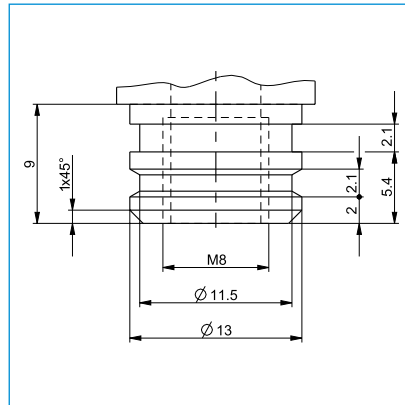
SUCTION CUPS

CONNECTION TYPES

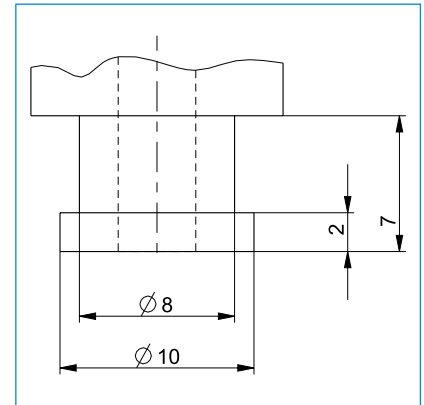
Suction Cups, Adapters and Compensation Modules with the same connection type can be variably combined. Dimensions of each connection type can be taken from drawings given below.



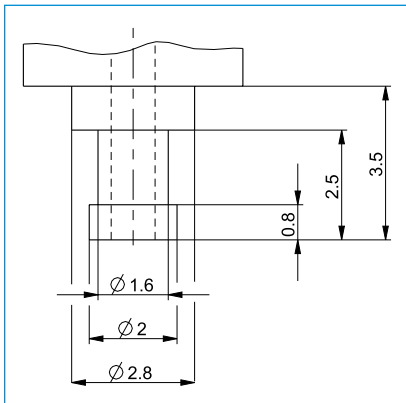
■ Connection type 1



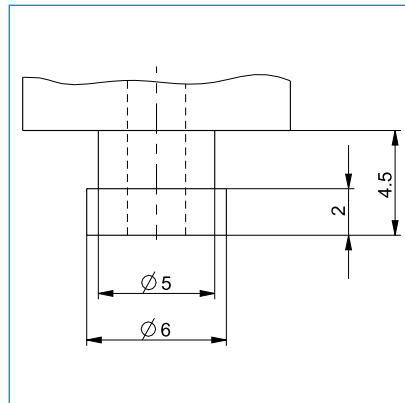
■ Connection type 2



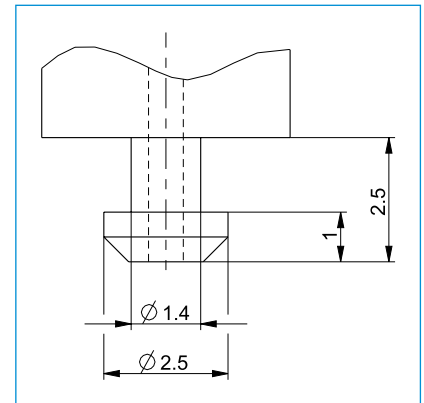
■ Connection type 3



■ Connection type 4



■ Connection type 5



■ Connection type 6