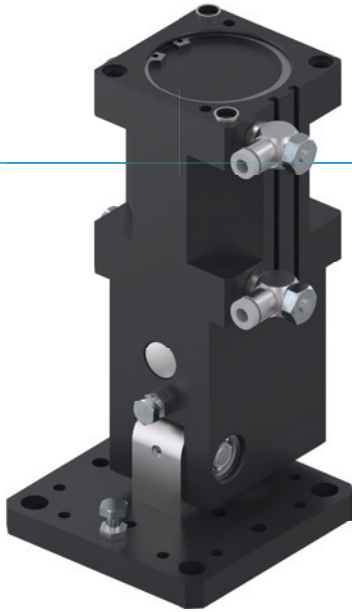


# ANGLE PIVOT UNITS

## SERIES SWM1000

### ▶ PRODUCT ADVANTAGES



#### “The slim”

##### ▶ Optimised design

Adjusted to a gantry axle, you can integrate the unit in your machine loading system to save space

##### ▶ Large locating flange

The large mounting surface simplifies your design and allows secure attachment of follow-on tools

##### ▶ Failure-free continuous operation

Our uncompromising “Made in Germany” quality guarantees up to 10 million maintenance-free cycles

### ▶ SERIES CHARACTERISTICS

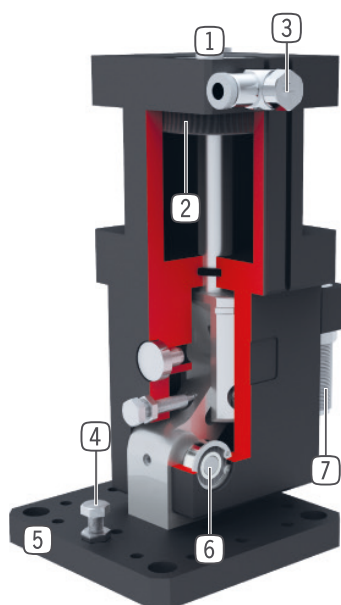
#### Installation size

#### SWM10XX

 <b>10 million maintenance-free cycles (max.)</b>	●
 <b>IP30</b>	●
 <b>Magnetic field sensor</b>	●
 <b>Powerstop end position damping</b>	●
 <b>Positionability - 2 positions</b>	●



## ► BENEFITS IN DETAIL



- ① **Mounting and positioning**
- ② **Drive**
  - double-acting pneumatic cylinder
- ③ **Air flow control valve**
  - for speed regulation
  - included in scope of delivery
- ④ **Adjustable end position**
  - +/- 3° adjustable end position
- ⑤ **Intake flange**
  - for connection to application-specific adapter plate (to be supplied by the customer)
- ⑥ **Force transfer 90° pivoting**
  - toggle lever principle
- ⑦ **Patented, hydraulic shock absorber**
  - adjustable end position damping

## ► TECHNICAL DATA

Installation size	Swivel angle [°]	Torque [Nm]	Weight [kg]	IP class
SWM1035	90	7 - 10	0.93	IP30
SWM1045	90	14 - 21	1.2	IP30
SWM1054	90	29 - 40	3.3	IP30
SWM1063	90	39 - 64	3.5	IP30
SWM1080	90	88 - 150	5.5	IP30

## ► FURTHER INFORMATION IS AVAILABLE ONLINE



All information just a click away at: [www.zimmer-group.com](http://www.zimmer-group.com). Find data, illustrations, 3D models and operating instructions for your installation size using the order number for your desired product. Quick, clear and always up-to-date.

# ANGLE PIVOT UNITS

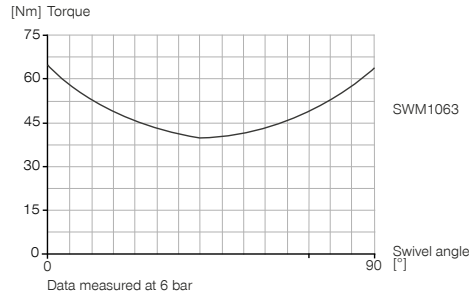
## INSTALLATION SIZE SWM1063

### ▶ PRODUCT SPECIFICATIONS



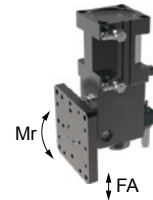
#### ▶ Moment of inertia

Shows the torque when lifting vs the swivel angle.



#### ▶ Forces and moments

Indicates the static load on the bearing.



Fa [N]	500
Mr [Nm]	45

### ▶ INCLUDED IN DELIVERY



2 [piece]  
Flow Control Valves - with Swivel joint  
**DRV1-8X6**



2 [piece]  
Centering Disc  
**DST42000**

### ▶ RECOMMENDED ACCESSORIES



#### ENERGY SUPPLY



**DSV1-8**  
Pressure safety valve



**DSV1-8E**  
Pressure safety valve with quick exhaust



#### SENSORS



**MFS01-K-KHC-P1-PNP**  
Magnetic field sensor angled, cable 5 m



**MFS01-S-KHC-P1-PNP**  
Magnetic field sensor angled, cable 0.3 m - M8 connector



**MFS02-K-KHC-P1-PNP**  
Magnetic field sensor straight, cable 5 m



**MFS02-S-KHC-P1-PNP**  
Magnetic field sensor straight, cable 0.3 m - M8 connector



#### CONNECTIONS / OTHER



**ANS0049**  
Attachment Kit



**PHE14X10NHDE-A**  
Industrial shock absorbers PowerStop



**KAG500**  
Plug-in connector Straight Cable 5m - Socket M8 (female)



**KAW500**  
Plug-in connector Angled Cable 5m - Socket M8 (female)



**S8-G-3**  
Plug-in connector customizable Straight - Connector M8

► Technical data

Order no.	SWM1063
Swivel angle [°]	90
Swivel angle regulable +/- [°]	3
Torque 0° [Nm]	64
Torque 45° [Nm]	39
Torque 90° [Nm]	64
Repetition accuracy +/- [°]	0.01
Swivel time without extension load [s]	0.6
Operating pressure min. [bar]	3
Operating pressure max. [bar]	8
Nominal operating pressure [bar]	6
Operating temperature min. [°C]	5
Operating temperature max. [°C]	+80
Air volume per cycle [cm³]	340
Protection to IEC 60529	IP30
Weight [kg]	3.5

- ① Fixings for swivel unit
- ② Energy supply
- ⑧ Fixing tool side
- ③⑤ Integrated slot for magnetic field sensor
- ③⑦ Adjusting screw end position

