

PROFILE DAMPERS BASICSTOP

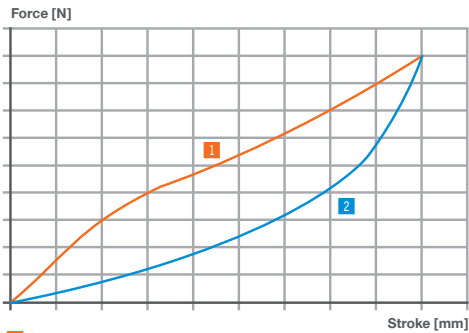
SERIES RADIAL STANDARD

▶ PRODUCT SPECIFICATIONS



▶ Design	Radial
▶ Shore hardness, hard	55D
▶ Shore hardness, medium	40D
▶ Damping proportion Hard	up to 60 %
▶ Damping proportion Medium	up to 50 %
▶ Impact speed	0,1 ... 5 [m/s]
▶ Permitted temperature range	-50 ... +90 [°C]
▶ Angle of Impact max.	30 [°]
▶ PWIS-free	Yes
▶ RoHS compliant	Yes
▶ REACH compliant	Yes

▶ TECHNICAL DATA



1 Compression
2 Release

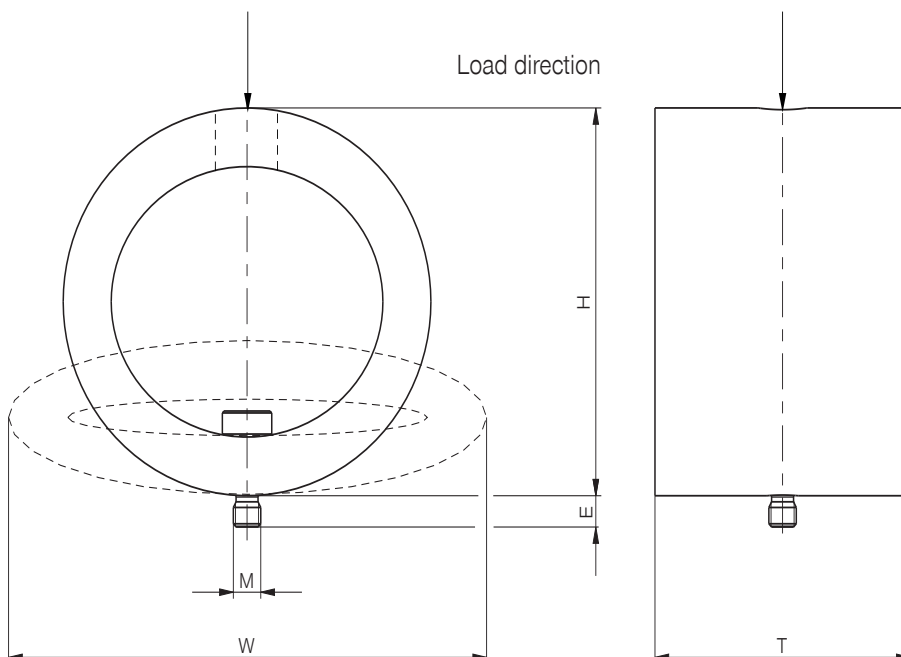
▶ Installation instructions

Order No.

TPC-M5-R
TPC-M6-R
TPC-M8-R

Thread	Wrench size [mm]	Tightening torque [Nm]	Weight [g]
M5	3	3	3
M6	5	5	6
M8	6	12	14

The profile dampers must completely contact the underside.
The screws are included in the scope of delivery of the respective BasicStop structural damper. These can also be ordered individually.



TECHNICAL DATA

Radial Standard

	Order No.	Energy absorption max.			Stroke max. [mm]	Height H at stroke=0 [mm]	Width W			Depth T [mm]	Screw-in length E max. [mm]	Thread	Weight (incl. screw) [g]
		Continuous operation		Emergency stop operation per stroke			Stroke=0	Stroke=0	Stroke=max				
		per stroke [J]	per hour [J/h]										
HARD	TPC-RS23X13H	2.7	81	5.7	15	23	30	38	13	5	M5	4	
	TPC-RS30X19H	6	180	18	19	30	39	50	19	5	M5	11	
	TPC-RS36X20H	8.7	261	24	23	36	45	58	20	5	M5	16	
	TPC-RS42X34H	11.7	351	20	32	42	52	68	34	5	M5	25	
	TPC-RS53X43H	25	750	46	41	53	64	87	43	5	M5	51	
	TPC-RS56X46H	66.5	1,995	98	37	56	68	88	46	6	M6	80	
	TPC-RS64X46H	81.5	2,445	106	42	64	79	102	46	6	M6	105	
	TPC-RS69X51H	124	3,720	206	46	69	86	109	51	6	M6	146	
	TPC-RS69X67H	158	4,740	261	46	69	86	111	67	8	M8	190	
	TPC-RS77X82H	228	6,840	342	50	77	95	124	82	8	M8	266	
TPC-RS84X81H	290	8,700	427	56	84	102	133	81	8	M8	319		
MEDIUM	TPC-RS25X13M	1.2	36	1.8	17	25	28	38	13	5	M5	6	
	TPC-RS32X19M	2.3	69	5.4	21	32	37	50	19	5	M5	13	
	TPC-RS37X20M	3.5	105	8.1	25	37	42	58	20	5	M5	17	
	TPC-RS44X35M	5.8	174	8.3	34	44	50	68	35	5	M5	26	
	TPC-RS55X43M	12	360	17	43	55	63	87	43	5	M5	51	
	TPC-RS59X46M	23	690	33	40	59	66	88	46	6	M6	77	
	TPC-RS67X46M	34.5	1,035	43	46	67	76	102	46	6	M6	104	
	TPC-RS73X51M	45	1,350	74	50	73	83	109	51	6	M6	142	
	TPC-RS73X67M	68	2,040	92	50	73	85	111	67	8	M8	206	
	TPC-RS83X83M	92	2,760	122	57	83	93	124	83	8	M8	297	
TPC-RS88X81M	115	3,450	146	60	88	100	133	81	8	M8	335		