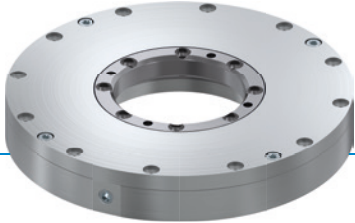


CLAMPING ELEMENT | PNEUMATIC

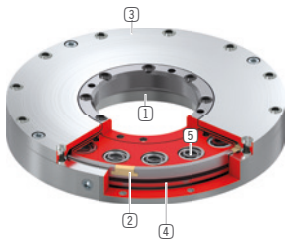
TPS060

▶ PRODUCT ADVANTAGES



- ▶ **Independent of the manufacturer**
For circular guides and shaft guides
- ▶ **Energize to open (NC)**
through spring-loaded energy storage
- ▶ **high durability**
Up to 5 million static clamping cycles
Internal torque input
No wear on the shaft
- ▶ **Safety element**
Safe clamping in case of energy failure

▶ TECHNICAL DETAILS



- ① **Clamping flange**
- For fastening to the shaft
- ② **Clamping segments**
- Fastens clamping disk inside the element
- ③ **Housing**
- ④ **Pneumatic piston**
- Ring pistons move the clamping segments longitudinally
- ⑤ **Spring-loaded energy storage**
- For non-pressurized closing of the clamping unit

▶ INFORMATION ON THE PRODUCTS

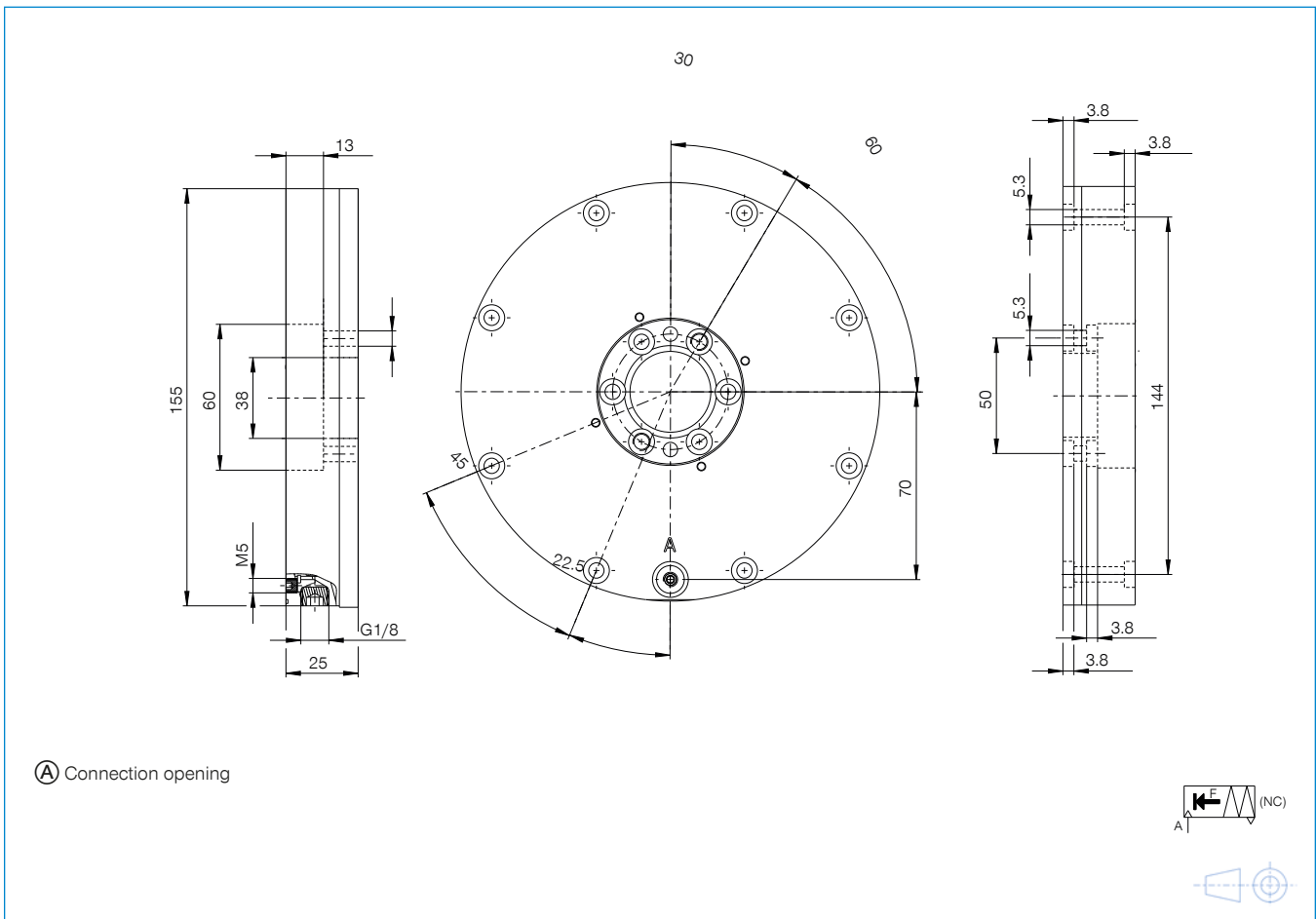
APPLICATION SCENARIOS

- ▶ **Torque take-up of shafts**
- ▶ **For deployment in torque motors**
- ▶ **For deployment in rotating disc contactors**

FURTHER INFORMATION

- ▶ **Special variants on request, e.g.**
With proximity switch monitoring
With low opening pressure (3.0 bar or 4.0 bar)

► TECHNICAL DRAWINGS



► TECHNICAL DATA

Order no.	TPS060
Operation	pneumatic
PLUS connection possible	No
Holding torque [Nm]	80
Theoretical holding torque ($\mu=0,1$) [N]	100
Operating pressure [bar]	4 ... 6.5
B10d value	5,000,000
Operating temperature [°C]	-10 ... +70
Weight [kg]	2.2
Shaft Ø [mm]	60
Function	Clamping
Condition	NC (Normally Closed) closed without pressure
Installation direction	from the front
Air volume per cycle [cm³]	42

Schematic drawing. General tolerances according to DIN ISO 2768 T1-4/T2-H. Edges according to ISO 13715. The holding torque is the maximum torque that can be applied rotationally. Each rotary clamping element is tested for the specified holding torque with a lightly oiled lubricating layer (ISO-VG 68) in a 100% inspection before delivery. The use of other lubricants can influence the coefficient of friction. The operating instructions must be observed before commissioning. We reserve the right to make technical changes in the course of further development. The latest and further data can be found online and in the operating instructions at www.zimmer-group.com.