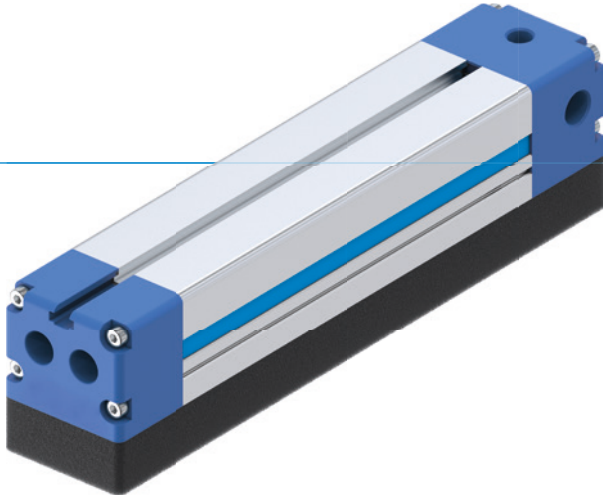


# VACUUM GRIPPING SYSTEM

## SERIES ZGM

### ▶ PRODUCT ADVANTAGES



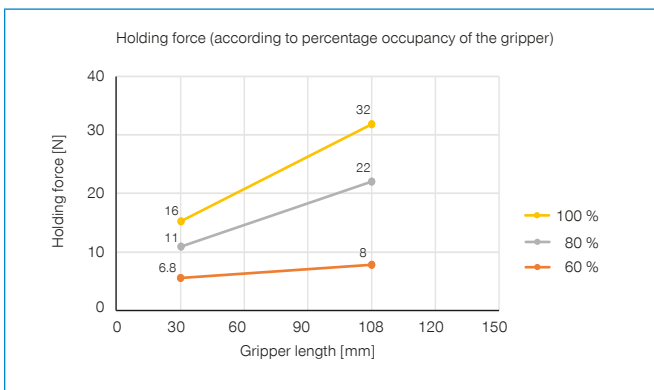
- ▶ **Dimensions: 16x60 mm–50x600 mm**
- ▶ **High-performance**
  - Volume flow: 41 l/min–724 l/min
  - Air consumption: 32 l/min–208 l/min
  - Max. vacuum level: -92 kPa
- ▶ **Compatible with EPDM foam and Magic Cups**
- ▶ **Vacuum gripping system can be expanded modularly**

### ▶ PRODUCT KEY

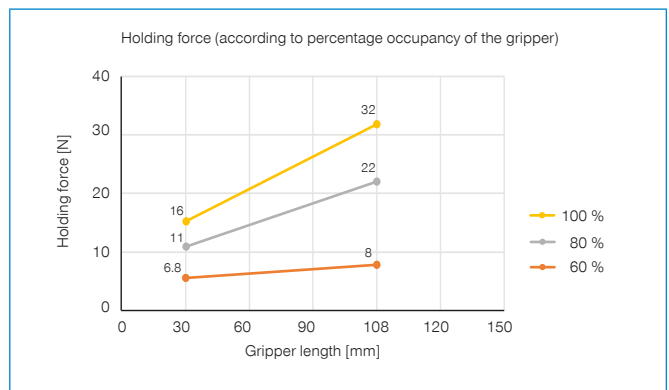
ZGM	40X150	21	FS2	A
Series	Dimensions	Levels and number of vacuum cartridges	Valve technology and hole pattern	Air and blow-off control valve, sensor

### ▶ DIAGRAMS

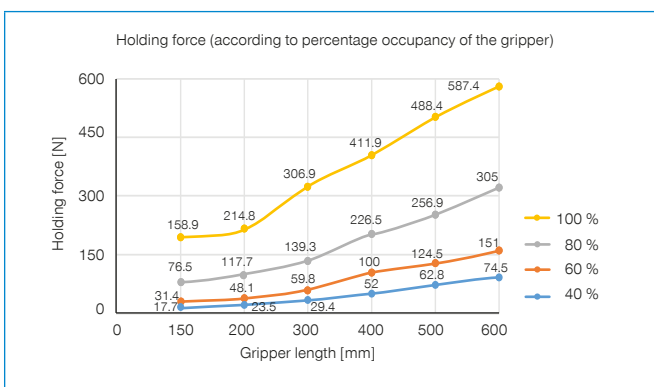
**ZGM16 round**



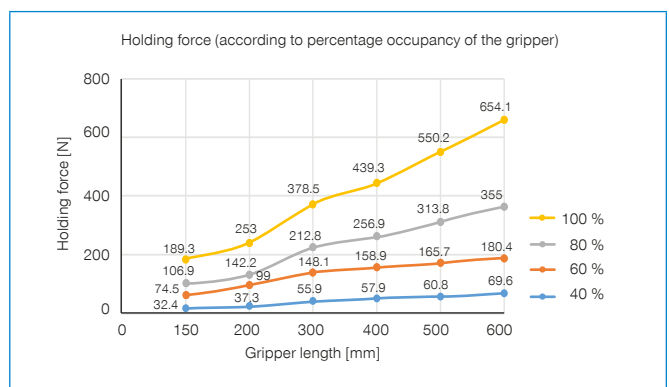
**ZGM20 round**



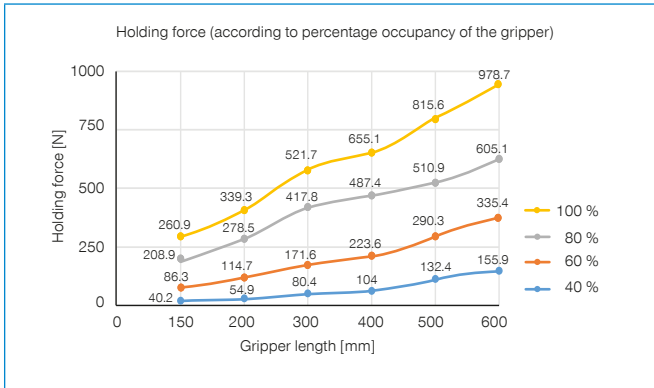
**ZGM40 round**



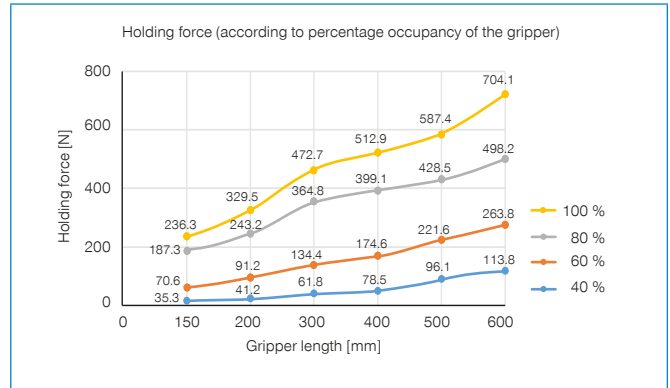
**ZGM40 oval**



### ZGM50 round

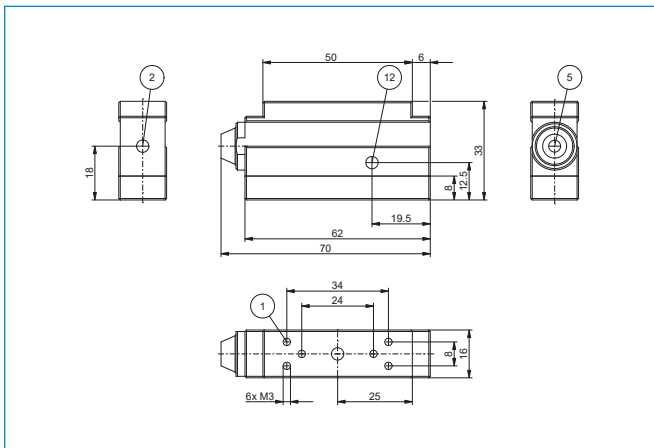


### ZGM50 oval



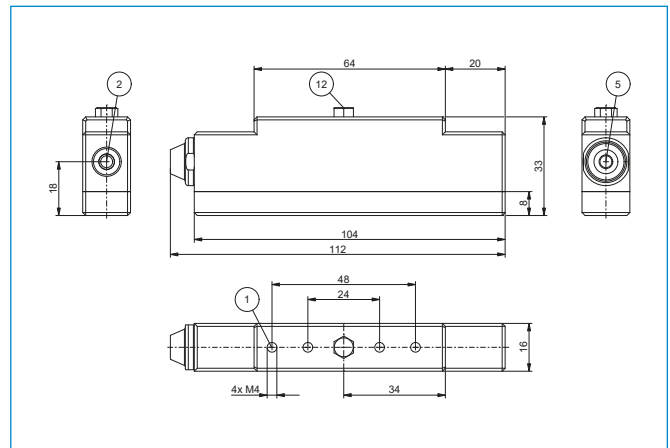
## ▶ TECHNICAL DRAWINGS

### ZGM16X60



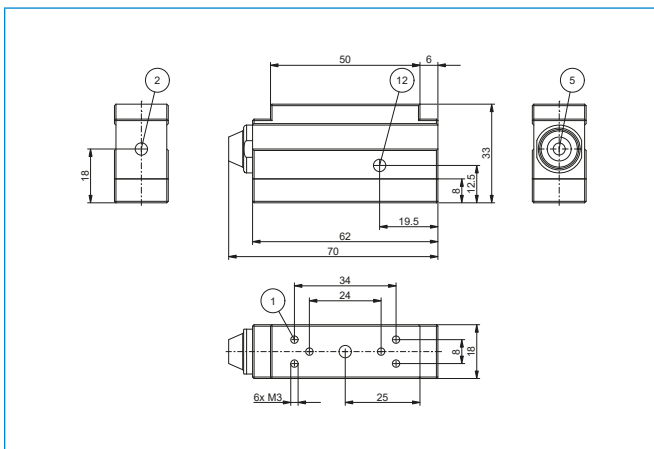
- ② Pneumatic connection
- ⑫ Vacuum switch connection
- ⑤ Exhaust air/exhaust air valve

### ZGM16X108



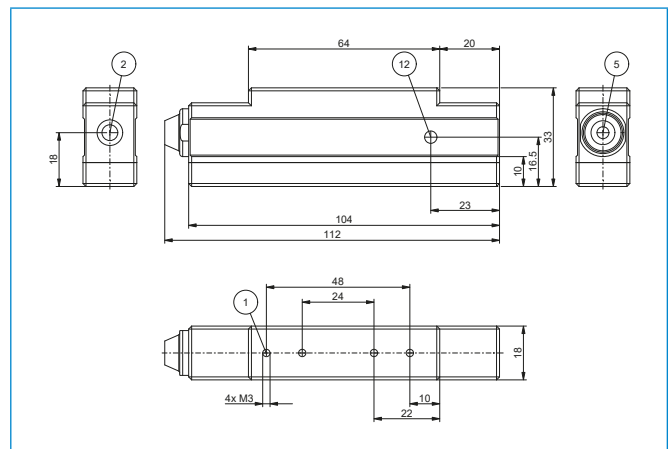
- ② Pneumatic connection
- ⑫ Vacuum switch connection
- ⑤ Exhaust air/exhaust air valve

### ZGM20X60



- ② Pneumatic connection
- ⑫ Vacuum switch connection
- ⑤ Exhaust air/exhaust air valve

### ZGM20X108

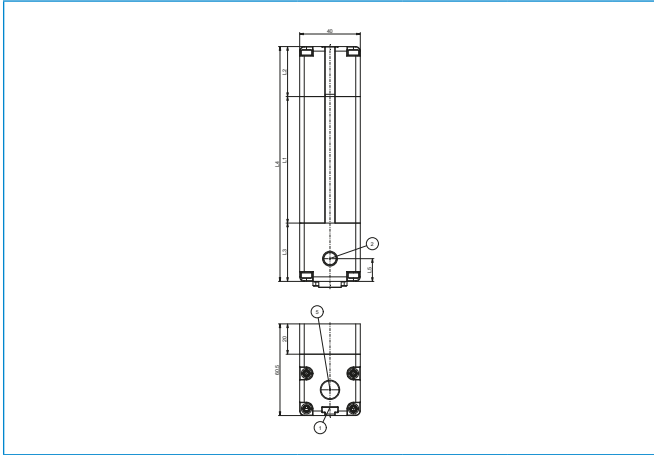


- ② Pneumatic connection
- ⑫ Vacuum switch connection
- ⑤ Exhaust air/exhaust air valve

# VACUUM GRIPPING SYSTEM

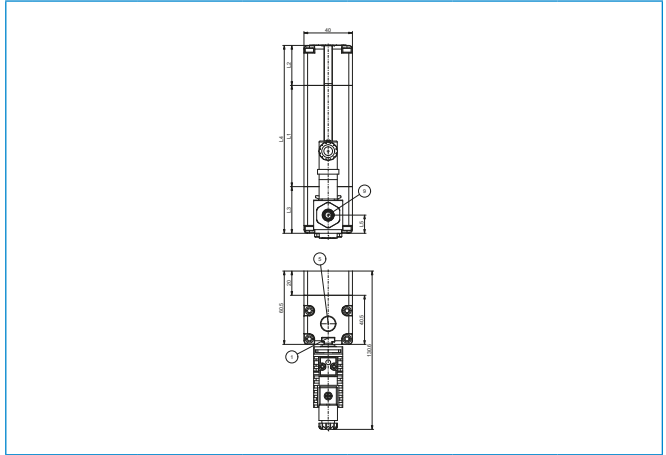
## SERIES ZGM

### ZGM40



- ① Fixing
- ② Pneumatic connection

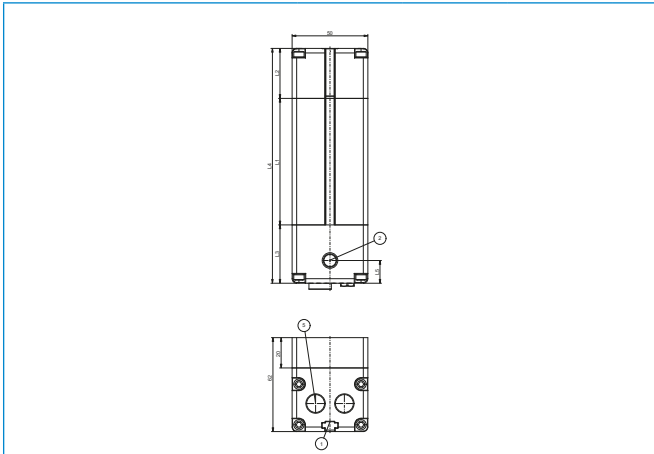
### ZGM40 with accessories



- ⑤ Exhaust air/exhaust air valve
- ⑨ Air control valve

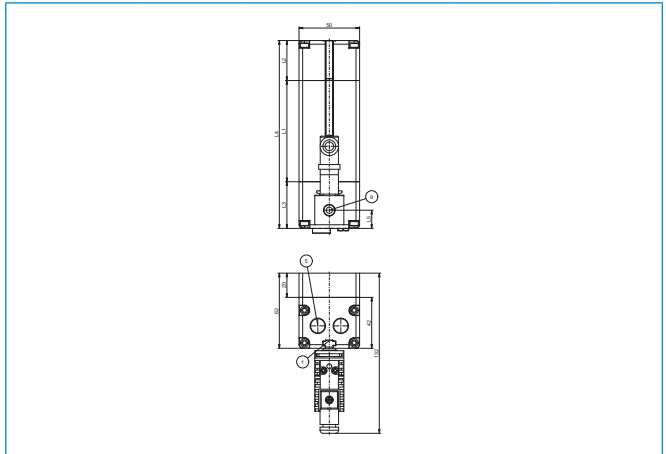
Model	L1 [mm]	L2 [mm]	L3 [mm]	L4 [mm]	L5 [mm]
ZGM40X150	83.5	33	38.5	155	15
ZGM40X200	133.5	33	38.5	205	15
ZGM40X300	233.5	33	38.5	305	15
ZGM40X400	333.5	33	38.5	405	15
ZGM40X500	433.5	33	38.5	505	15
ZGM40X600	533.5	33	38.5	605	15

### ZGM50



- ① Fixing
- ② Pneumatic connection

### ZGM50 with accessories



- ⑤ Exhaust air/exhaust air valve
- ⑨ Air control valve

Model	L1 [mm]	L2 [mm]	L3 [mm]	L4 [mm]	L5 [mm]
ZGM50X150	83.5	33	38.5	155	15
ZGM50X200	133.5	33	38.5	205	15
ZGM50X300	233.5	33	38.5	305	15
ZGM50X400	333.5	33	38.5	405	15
ZGM50X500	433.5	33	38.5	505	15
ZGM50X600	533.5	33	38.5	605	15

## ▶ TECHNICAL DATA

Order no.	▶ Technical data							
	Max. vacuum level [kPa]	Volume flow [l/min]	Air consumption at 4 bar [l/min]	Air consumption at 6 bar [l/min]	Hole pattern of the sealing foam mat	Air control valve	Valve type of the area gripper	Weight [kg]
ZGM16X60-21	-90	41		32	Round Ø 5	No	Flow resistance	0.049
ZGM16X108-31	-90	85		32	Round Ø 5	No	Flow resistance	0.082
ZGM20X60-21	-90	41		32	Round Ø 5	No	Flow resistance	0.062
ZGM20X108-31	-90	85		32	Round Ø 5	No	Flow resistance	0.092
ZGM40X150-21-FL2	-92	171	152		Round Ø 12	No	Flow resistance	0.26
ZGM40X150-21-FL2-A	-92	171	152		Round Ø 12	Yes	Flow resistance	0.34
ZGM40X150-21-FL3	-92	171	152		Oval	No	Flow resistance	0.27
ZGM40X150-21-FL3-A	-92	171	152		Oval	Yes	Flow resistance	0.35
ZGM40X150-21-FS2	-92	171	152		Round Ø 12	No	Flow resistance	0.26
ZGM40X150-21-FS2-A	-92	171	152		Round Ø 12	Yes	Flow resistance	0.34
ZGM40X150-21-FS3	-92	171	152		Oval	No	Flow resistance	0.27
ZGM40X150-21-FS3-A	-92	171	152		Oval	Yes	Flow resistance	0.35
ZGML40X150-21-FL2	-75	200		104	Round Ø 12	No	Flow resistance	0.26
ZGML40X150-21-FL2-A	-75	200		104	Round Ø 12	Yes	Flow resistance	0.34
ZGML40X150-21-FL3	-75	200		104	Oval	No	Flow resistance	0.27
ZGML40X150-21-FL3-A	-75	200		104	Oval	Yes	Flow resistance	0.35
ZGML40X150-21-FS2	-75	200		104	Round Ø 12	No	Flow resistance	0.26
ZGML40X150-21-FS2-A	-75	200		104	Round Ø 12	Yes	Flow resistance	0.34
ZGML40X150-21-FS3	-75	200		104	Oval	No	Flow resistance	0.27
ZGML40X150-21-FS3-A	-75	200		104	Oval	Yes	Flow resistance	0.35
ZGM40X200-21-FL2	-92	171	152		Round Ø 12	No	Flow resistance	0.35
ZGM40X200-21-FL2-A	-92	171	152		Round Ø 12	Yes	Flow resistance	0.43
ZGM40X200-21-FL3	-92	171	152		Oval	No	Flow resistance	0.36
ZGM40X200-21-FL3-A	-92	171	152		Oval	Yes	Flow resistance	0.43
ZGM40X200-21-FS2	-92	171	152		Round Ø 12	No	Flow resistance	0.35
ZGM40X200-21-FS2-A	-92	171	152		Round Ø 12	Yes	Flow resistance	0.43
ZGM40X200-21-FS3	-92	171	152		Oval	No	Flow resistance	0.36
ZGM40X200-21-FS3-A	-92	171	152		Oval	Yes	Flow resistance	0.43
ZGML40X200-21-FL2	-75	200		104	Round Ø 12	No	Flow resistance	0.35
ZGML40X200-21-FL2-A	-75	200		104	Round Ø 12	Yes	Flow resistance	0.43
ZGML40X200-21-FL3	-75	200		104	Oval	No	Flow resistance	0.36
ZGML40X200-21-FL3-A	-75	200		104	Oval	Yes	Flow resistance	0.43
ZGML40X200-21-FS2	-75	200		104	Round Ø 12	No	Flow resistance	0.35
ZGML40X200-21-FS2-A	-75	200		104	Round Ø 12	Yes	Flow resistance	0.43
ZGML40X200-21-FS3	-75	200		104	Oval	No	Flow resistance	0.36
ZGML40X200-21-FS3-A	-75	200		104	Oval	Yes	Flow resistance	0.43
ZGM40X300-31-FL2	-92	341	152		Round Ø 12	No	Flow resistance	0.52
ZGM40X300-31-FL2-A	-92	341	152		Round Ø 12	Yes	Flow resistance	0.6
ZGM40X300-31-FL3	-92	341	152		Oval	No	Flow resistance	0.53
ZGM40X300-31-FL3-A	-92	341	152		Oval	Yes	Flow resistance	0.6
ZGM40X300-31-FS2	-92	341	152		Round Ø 12	No	Flow resistance	0.52
ZGM40X300-31-FS2-A	-92	341	152		Round Ø 12	Yes	Flow resistance	0.6
ZGM40X300-31-FS3	-92	341	152		Oval	No	Flow resistance	0.53
ZGM40X300-31-FS3-A	-92	341	152		Oval	Yes	Flow resistance	0.6
ZGML40X300-31-FL2	-75	362		104	Round Ø 12	No	Flow resistance	0.52
ZGML40X300-31-FL2-A	-75	362		104	Round Ø 12	Yes	Flow resistance	0.6
ZGML40X300-31-FL3	-75	362		104	Oval	No	Flow resistance	0.53
ZGML40X300-31-FL3-A	-75	362		104	Oval	Yes	Flow resistance	0.6
ZGML40X300-31-FS2	-75	362		104	Round Ø 12	No	Flow resistance	0.52
ZGML40X300-31-FS2-A	-75	362		104	Round Ø 12	Yes	Flow resistance	0.6
ZGML40X300-31-FS3	-75	362		104	Oval	No	Flow resistance	0.53
ZGML40X300-31-FS3-A	-75	362		104	Oval	Yes	Flow resistance	0.6
ZGM40X400-31-FL2	-92	341	152		Round Ø 12	No	Flow resistance	0.7
ZGM40X400-31-FL2-A	-92	341	152		Round Ø 12	Yes	Flow resistance	0.77
ZGM40X400-31-FL3	-92	341	152		Oval	No	Flow resistance	0.7
ZGM40X400-31-FL3-A	-92	341	152		Oval	Yes	Flow resistance	0.78

# VACUUM GRIPPING SYSTEM

## SERIES ZGM

Order no.	► Technical data							
	Max. vacuum level [kPa]	Volume flow [l/min]	Air consumption at 4 bar [l/min]	Air consumption at 6 bar [l/min]	Hole pattern of the sealing foam mat	Air control valve	Valve type of the area gripper	Weight [kg]
ZGM40X400-31-FS2	-92	341	152		Round Ø 12	No	Flow resistance	0.7
ZGM40X400-31-FS2-A	-92	341	152		Round Ø 12	Yes	Flow resistance	0.77
ZGM40X400-31-FS3	-92	341	152		Oval	No	Flow resistance	0.7
ZGM40X400-31-FS3-A	-92	341	152		Oval	Yes	Flow resistance	0.78
ZGML40X400-31-FL2	-75	362		104	Round Ø 12	No	Flow resistance	0.7
ZGML40X400-31-FL2-A	-75	362		104	Round Ø 12	Yes	Flow resistance	0.77
ZGML40X400-31-FL3	-75	362		104	Oval	No	Flow resistance	0.7
ZGML40X400-31-FL3-A	-75	362		104	Oval	Yes	Flow resistance	0.78
ZGML40X400-31-FS2	-75	362		104	Round Ø 12	No	Flow resistance	0.7
ZGML40X400-31-FS2-A	-75	362		104	Round Ø 12	Yes	Flow resistance	0.77
ZGML40X400-31-FS3	-75	362		104	Oval	No	Flow resistance	0.7
ZGML40X400-31-FS3-A	-75	362		104	Oval	Yes	Flow resistance	0.78
ZGM40X500-31-FL2	-92	341	152		Round Ø 12	No	Flow resistance	0.87
ZGM40X500-31-FL2-A	-92	341	152		Round Ø 12	Yes	Flow resistance	0.94
ZGM40X500-31-FL3	-92	341	152		Oval	No	Flow resistance	0.87
ZGM40X500-31-FL3-A	-92	341	152		Oval	Yes	Flow resistance	0.95
ZGM40X500-31-FS2	-92	341	152		Round Ø 12	No	Flow resistance	0.87
ZGM40X500-31-FS2-A	-92	341	152		Round Ø 12	Yes	Flow resistance	0.943
ZGM40X500-31-FS3	-92	341	152		Oval	No	Flow resistance	0.87
ZGM40X500-31-FS3-A	-92	341	152		Oval	Yes	Flow resistance	0.95
ZGML40X500-31-FL2	-75	362		104	Round Ø 12	No	Flow resistance	0.87
ZGML40X500-31-FL2-A	-75	362		104	Round Ø 12	Yes	Flow resistance	0.94
ZGML40X500-31-FL3	-75	362		104	Oval	No	Flow resistance	0.87
ZGML40X500-31-FL3-A	-75	362		104	Oval	Yes	Flow resistance	0.95
ZGML40X500-31-FS2	-75	362		104	Round Ø 12	No	Flow resistance	0.87
ZGML40X500-31-FS2-A	-75	362		104	Round Ø 12	Yes	Flow resistance	0.94
ZGML40X500-31-FS3	-75	362		104	Oval	No	Flow resistance	0.87
ZGML40X500-31-FS3-A	-75	362		104	Oval	Yes	Flow resistance	0.95
ZGM40X600-31-FL2	-92	341	152		Round Ø 12	No	Flow resistance	1
ZGM40X600-31-FL2-A	-92	341	152		Round Ø 12	Yes	Flow resistance	1.1
ZGM40X600-31-FL3	-92	341	152		Oval	No	Flow resistance	1
ZGM40X600-31-FL3-A	-92	341	152		Oval	Yes	Flow resistance	1.1
ZGM40X600-31-FS2	-92	341	152		Round Ø 12	No	Flow resistance	1
ZGM40X600-31-FS2-A	-92	341	152		Round Ø 12	Yes	Flow resistance	1.1
ZGM40X600-31-FS3	-92	341	152		Oval	No	Flow resistance	1
ZGM40X600-31-FS3-A	-92	341	152		Oval	Yes	Flow resistance	1.1
ZGML40X600-31-FL2	-75	362		104	Round Ø 12	No	Flow resistance	1
ZGML40X600-31-FL2-A	-75	362		104	Round Ø 12	Yes	Flow resistance	1.1
ZGML40X600-31-FL3	-75	362		104	Oval	No	Flow resistance	1
ZGML40X600-31-FL3-A	-75	362		104	Oval	Yes	Flow resistance	1.1
ZGML40X600-31-FS2	-75	362		104	Round Ø 12	No	Flow resistance	1
ZGML40X600-31-FS2-A	-75	362		104	Round Ø 12	Yes	Flow resistance	1.1
ZGML40X600-31-FS3	-75	362		104	Oval	No	Flow resistance	1
ZGML40X600-31-FS3-A	-75	362		104	Oval	Yes	Flow resistance	1.1
ZGM50X150-21-FL2	-92	171	152		Round Ø 12	No	Flow resistance	0.36
ZGM50X150-21-FL2-A	-92	171	152		Round Ø 12	Yes	Flow resistance	0.44
ZGM50X150-21-FL3	-92	171	152		Oval	No	Flow resistance	0.35
ZGM50X150-21-FL3-A	-92	171	152		Oval	Yes	Flow resistance	0.43
ZGM50X150-21-FS2	-92	171	152		Round Ø 12	No	Flow resistance	0.36
ZGM50X150-21-FS2-A	-92	171	152		Round Ø 12	Yes	Flow resistance	0.44
ZGM50X150-21-FS3	-92	171	152		Oval	No	Flow resistance	3.5
ZGM50X150-21-FS3-A	-92	171	152		Oval	Yes	Flow resistance	0.43
ZGM50X150-22-FL2	-92	342	304		Round Ø 12	No	Flow resistance	0.39
ZGM50X150-22-FL2-A	-92	342	304		Round Ø 12	Yes	Flow resistance	0.46
ZGM50X150-22-FL3	-92	342	304		Oval	No	Flow resistance	0.38
ZGM50X150-22-FL3-A	-92	342	304		Oval	Yes	Flow resistance	0.45
ZGM50X150-22-FS2	-92	342	304		Round Ø 12	No	Flow resistance	0.39
ZGM50X150-22-FS2-A	-92	342	304		Round Ø 12	Yes	Flow resistance	0.46
ZGM50X150-22-FS3	-92	342	304		Oval	No	Flow resistance	0.38

► **Technical data**

Order no.	Max. vacuum level [kPa]	Volume flow [l/min]	Air consumption at 4 bar [l/min]	Air consumption at 6 bar [l/min]	Hole pattern of the sealing foam mat	Air control valve	Valve type of the area gripper	Weight [kg]
ZGM50X150-22-FS3-A	-92	342	304		Oval	Yes	Flow resistance	0.45
ZGML50X150-21-FL2	-75	200		104	Round Ø 12	No	Flow resistance	0.36
ZGML50X150-21-FL2-A	-75	200		104	Round Ø 12	Yes	Flow resistance	0.44
ZGML50X150-21-FL3	-75	200		104	Oval	No	Flow resistance	0.35
ZGML50X150-21-FL3-A	-75	200		104	Oval	Yes	Flow resistance	0.43
ZGML50X150-21-FS2	-75	200		104	Round Ø 12	No	Flow resistance	0.36
ZGML50X150-21-FS2-A	-75	200		104	Round Ø 12	Yes	Flow resistance	0.44
ZGML50X150-21-FS3	-75	200		104	Oval	No	Flow resistance	0.35
ZGML50X150-21-FS3-A	-75	200		104	Oval	Yes	Flow resistance	0.43
ZGML50X150-22-FL2	-75	400		208	Round Ø 12	No	Flow resistance	0.39
ZGML50X150-22-FL2-A	-75	400		208	Round Ø 12	Yes	Flow resistance	0.46
ZGML50X150-22-FL3	-75	400		208	Oval	No	Flow resistance	0.38
ZGML50X150-22-FL3-A	-75	400		208	Oval	Yes	Flow resistance	0.45
ZGML50X150-22-FS2	-75	400		208	Round Ø 12	No	Flow resistance	0.39
ZGML50X150-22-FS2-A	-75	400		208	Round Ø 12	Yes	Flow resistance	0.46
ZGML50X150-22-FS3	-75	400		208	Oval	No	Flow resistance	0.38
ZGML50X150-22-FS3-A	-75	400		208	Oval	Yes	Flow resistance	0.45
ZGM50X200-21-FL2	-92	171	152		Round Ø 12	No	Flow resistance	0.46
ZGM50X200-21-FL2-A	-92	171	152		Round Ø 12	Yes	Flow resistance	0.54
ZGM50X200-21-FL3	-92	171	152		Oval	No	Flow resistance	0.45
ZGM50X200-21-FL3-A	-92	171	152		Oval	Yes	Flow resistance	0.53
ZGM50X200-21-FS2	-92	171	152		Round Ø 12	No	Flow resistance	0.46
ZGM50X200-21-FS2-A	-92	171	152		Round Ø 12	Yes	Flow resistance	0.54
ZGM50X200-21-FS3	-92	171	152		Oval	No	Flow resistance	0.45
ZGM50X200-21-FS3-A	-92	171	152		Oval	Yes	Flow resistance	0.53
ZGM50X200-22-FL2	-92	342	304		Round Ø 12	No	Flow resistance	0.49
ZGM50X200-22-FL2-A	-92	342	304		Round Ø 12	Yes	Flow resistance	0.56
ZGM50X200-22-FL3	-92	342	304		Oval	No	Flow resistance	0.48
ZGM50X200-22-FL3-A	-92	342	304		Oval	Yes	Flow resistance	0.55
ZGM50X200-22-FS2	-92	342	304		Round Ø 12	No	Flow resistance	0.49
ZGM50X200-22-FS2-A	-92	342	304		Round Ø 12	Yes	Flow resistance	0.56
ZGM50X200-22-FS3	-92	342	304		Oval	No	Flow resistance	0.48
ZGM50X200-22-FS3-A	-92	342	304		Oval	Yes	Flow resistance	0.55
ZGML50X200-21-FL2	-75	200		104	Round Ø 12	No	Flow resistance	0.46
ZGML50X200-21-FL2-A	-75	200		104	Round Ø 12	Yes	Flow resistance	0.54
ZGML50X200-21-FL3	-75	200		104	Oval	No	Flow resistance	0.45
ZGML50X200-21-FL3-A	-75	200		104	Oval	Yes	Flow resistance	0.53
ZGML50X200-21-FS2	-75	200		104	Round Ø 12	No	Flow resistance	0.46
ZGML50X200-21-FS2-A	-75	200		104	Round Ø 12	Yes	Flow resistance	0.54
ZGML50X200-21-FS3	-75	200		104	Oval	No	Flow resistance	0.45
ZGML50X200-21-FS3-A	-75	200		104	Oval	Yes	Flow resistance	0.53
ZGML50X200-22-FL2	-75	400		208	Round Ø 12	No	Flow resistance	0.49
ZGML50X200-22-FL2-A	-75	400		208	Round Ø 12	Yes	Flow resistance	0.56
ZGML50X200-22-FL3	-75	400		208	Oval	No	Flow resistance	0.48
ZGML50X200-22-FL3-A	-75	400		208	Oval	Yes	Flow resistance	0.55
ZGML50X200-22-FS2	-75	400		208	Round Ø 12	No	Flow resistance	0.49
ZGML50X200-22-FS2-A	-75	400		208	Round Ø 12	Yes	Flow resistance	0.56
ZGML50X200-22-FS3	-75	400		208	Oval	No	Flow resistance	0.48
ZGML50X200-22-FS3-A	-75	400		208	Oval	Yes	Flow resistance	0.55
ZGM50X300-31-FL2	-92	341	152		Round Ø 12	No	Flow resistance	0.66
ZGM50X300-31-FL2-A	-92	341	152		Round Ø 12	Yes	Flow resistance	0.73
ZGM50X300-31-FL3	-92	341	152		Oval	No	Flow resistance	0.65
ZGM50X300-31-FL3-A	-92	341	152		Oval	Yes	Flow resistance	0.72
ZGM50X300-31-FS2	-92	341	152		Round Ø 12	No	Flow resistance	0.66
ZGM50X300-31-FS2-A	-92	341	152		Round Ø 12	Yes	Flow resistance	0.73
ZGM50X300-31-FS3	-92	341	152		Oval	No	Flow resistance	0.65
ZGM50X300-31-FS3-A	-92	341	152		Oval	Yes	Flow resistance	0.72
ZGM50X300-32-FL2	-92	682	304		Round Ø 12	No	Flow resistance	0.68
ZGM50X300-32-FL2-A	-92	682	304		Round Ø 12	Yes	Flow resistance	0.76

# VACUUM GRIPPING SYSTEM

## SERIES ZGM

Order no.	► Technical data							
	Max. vacuum level [kPa]	Volume flow [l/min]	Air consumption at 4 bar [l/min]	Air consumption at 6 bar [l/min]	Hole pattern of the sealing foam mat	Air control valve	Valve type of the area gripper	Weight [kg]
ZGM50X300-32-FL3	-92	682	304		Oval	No	Flow resistance	0.67
ZGM50X300-32-FL3-A	-92	682	304		Oval	Yes	Flow resistance	0.75
ZGM50X300-32-FS2	-92	682	304		Round Ø 12	No	Flow resistance	0.683
ZGM50X300-32-FS2-A	-92	682	304		Round Ø 12	Yes	Flow resistance	0.76
ZGM50X300-32-FS3	-92	682	304		Oval	No	Flow resistance	0.67
ZGM50X300-32-FS3-A	-92	682	304		Oval	Yes	Flow resistance	0.75
ZGML50X300-31-FL2	-75	362		104	Round Ø 12	No	Flow resistance	0.66
ZGML50X300-31-FL2-A	-75	362		104	Round Ø 12	Yes	Flow resistance	0.73
ZGML50X300-31-FL3	-75	362		104	Oval	No	Flow resistance	0.65
ZGML50X300-31-FL3-A	-75	362		104	Oval	Yes	Flow resistance	0.72
ZGML50X300-31-FS2	-75	362		104	Round Ø 12	No	Flow resistance	0.66
ZGML50X300-31-FS2-A	-75	362		104	Round Ø 12	Yes	Flow resistance	0.73
ZGML50X300-31-FS3	-75	362		104	Oval	No	Flow resistance	0.65
ZGML50X300-31-FS3-A	-75	362		104	Oval	Yes	Flow resistance	0.72
ZGML50X300-32-FL2	-75	724		208	Round Ø 12	No	Flow resistance	0.68
ZGML50X300-32-FL2-A	-75	724		208	Round Ø 12	Yes	Flow resistance	0.76
ZGML50X300-32-FL3	-75	724		208	Oval	No	Flow resistance	0.67
ZGML50X300-32-FL3-A	-75	724		208	Oval	Yes	Flow resistance	0.75
ZGML50X300-32-FS2	-75	724		208	Round Ø 12	No	Flow resistance	0.68
ZGML50X300-32-FS2-A	-75	724		208	Round Ø 12	Yes	Flow resistance	0.76
ZGML50X300-32-FS3	-75	724		208	Oval	No	Flow resistance	0.67
ZGML50X300-32-FS3-A	-75	724		208	Oval	Yes	Flow resistance	0.75
ZGM50X400-31-FL2	-92	341	152		Round Ø 12	No	Flow resistance	0.86
ZGM50X400-31-FL2-A	-92	341	152		Round Ø 12	Yes	Flow resistance	0.93
ZGM50X400-31-FL3	-92	341	152		Oval	No	Flow resistance	0.84
ZGM50X400-31-FL3-A	-92	341	152		Oval	Yes	Flow resistance	0.92
ZGM50X400-31-FS2	-92	341	152		Round Ø 12	No	Flow resistance	0.86
ZGM50X400-31-FS2-A	-92	341	152		Round Ø 12	Yes	Flow resistance	0.93
ZGM50X400-31-FS3	-92	341	152		Oval	No	Flow resistance	0.84
ZGM50X400-31-FS3-A	-92	341	152		Oval	Yes	Flow resistance	0.92
ZGM50X400-32-FL2	-92	682	304		Round Ø 12	No	Flow resistance	0.88
ZGM50X400-32-FL2-A	-92	682	304		Round Ø 12	Yes	Flow resistance	0.96
ZGM50X400-32-FL3	-92	682	304		Oval	No	Flow resistance	0.87
ZGM50X400-32-FL3-A	-92	682	304		Oval	Yes	Flow resistance	0.94
ZGM50X400-32-FS2	-92	682	304		Round Ø 12	No	Flow resistance	0.91
ZGM50X400-32-FS2-A	-92	682	304		Round Ø 12	Yes	Flow resistance	0.98
ZGM50X400-32-FS3	-92	682	304		Oval	No	Flow resistance	0.89
ZGM50X400-32-FS3-A	-92	682	304		Oval	Yes	Flow resistance	0.97
ZGML50X400-31-FL2	-75	362		104	Round Ø 12	No	Flow resistance	0.86
ZGML50X400-31-FL2-A	-75	362		104	Round Ø 12	Yes	Flow resistance	0.93
ZGML50X400-31-FL3	-75	362		104	Oval	No	Flow resistance	0.84
ZGML50X400-31-FL3-A	-75	362		104	Oval	Yes	Flow resistance	0.92
ZGML50X400-31-FS2	-75	362		104	Round Ø 12	No	Flow resistance	0.86
ZGML50X400-31-FS2-A	-75	362		104	Round Ø 12	Yes	Flow resistance	0.93
ZGML50X400-31-FS3	-75	362		104	Oval	No	Flow resistance	0.84
ZGML50X400-31-FS3-A	-75	362		104	Oval	Yes	Flow resistance	0.92
ZGML50X400-32-FL2	-75	724		208	Round Ø 12	No	Flow resistance	0.88
ZGML50X400-32-FL2-A	-75	724		208	Round Ø 12	Yes	Flow resistance	0.96
ZGML50X400-32-FL3	-75	724		208	Oval	No	Flow resistance	0.87
ZGML50X400-32-FL3-A	-75	724		208	Oval	Yes	Flow resistance	0.94
ZGML50X400-32-FS2	-75	724		208	Round Ø 12	No	Flow resistance	0.91
ZGML50X400-32-FS2-A	-75	724		208	Round Ø 12	Yes	Flow resistance	0.98
ZGML50X400-32-FS3	-75	724		208	Oval	No	Flow resistance	0.89
ZGML50X400-32-FS3-A	-75	724		208	Oval	Yes	Flow resistance	0.97
ZGM50X500-31-FL2	-92	341	152		Round Ø 12	No	Flow resistance	1.1
ZGM50X500-31-FL2-A	-92	341	152		Round Ø 12	Yes	Flow resistance	1.1
ZGM50X500-31-FL3	-92	341	152		Oval	No	Flow resistance	1
ZGM50X500-31-FL3-A	-92	341	152		Oval	Yes	Flow resistance	1.1
ZGM50X500-31-FS2	-92	341	152		Round Ø 12	No	Flow resistance	1.1

Order no.	► Technical data							
	Max. vacuum level [kPa]	Volume flow [l/min]	Air consumption at 4 bar [l/min]	Air consumption at 6 bar [l/min]	Hole pattern of the sealing foam mat	Air control valve	Valve type of the area gripper	Weight [kg]
ZGM50X500-31-FS2-A	-92	341	152		Round Ø 12	Yes	Flow resistance	1.1
ZGM50X500-31-FS3	-92	341	152		Oval	No	Flow resistance	1
ZGM50X500-31-FS3-A	-92	341	152		Oval	Yes	Flow resistance	1.1
ZGM50X500-32-FL2	-92	682	304		Round Ø 12	No	Flow resistance	1.1
ZGM50X500-32-FL2-A	-92	682	304		Round Ø 12	Yes	Flow resistance	1.2
ZGM50X500-32-FL3	-92	682	304		Oval	No	Flow resistance	1.1
ZGM50X500-32-FL3-A	-92	682	304		Oval	Yes	Flow resistance	1.1
ZGM50X500-32-FS2	-92	682	304		Round Ø 12	No	Flow resistance	1.1
ZGM50X500-32-FS2-A	-92	682	304		Round Ø 12	Yes	Flow resistance	1.2
ZGM50X500-32-FS3	-92	682	304		Oval	No	Flow resistance	1.1
ZGM50X500-32-FS3-A	-92	682	304		Oval	Yes	Flow resistance	1.1
ZGML50X500-31-FL2	-75	362		104	Round Ø 12	No	Flow resistance	1.1
ZGML50X500-31-FL2-A	-75	362		104	Round Ø 12	Yes	Flow resistance	1.1
ZGML50X500-31-FL3	-75	362		104	Oval	No	Flow resistance	1
ZGML50X500-31-FL3-A	-75	362		104	Oval	Yes	Flow resistance	1.1
ZGML50X500-31-FS2	-75	362		104	Round Ø 12	No	Flow resistance	1.1
ZGML50X500-31-FS2-A	-75	362		104	Round Ø 12	Yes	Flow resistance	1.1
ZGML50X500-31-FS3	-75	362		104	Oval	No	Flow resistance	1
ZGML50X500-31-FS3-A	-75	362		104	Oval	Yes	Flow resistance	1.1
ZGML50X500-32-FL2	-75	724		208	Round Ø 12	No	Flow resistance	1.1
ZGML50X500-32-FL2-A	-75	724		208	Round Ø 12	Yes	Flow resistance	1.2
ZGML50X500-32-FL3	-75	724		208	Oval	No	Flow resistance	1.1
ZGML50X500-32-FL3-A	-75	724		208	Oval	Yes	Flow resistance	1.1
ZGML50X500-32-FS2	-75	724		208	Round Ø 12	No	Flow resistance	1.076
ZGML50X500-32-FS2-A	-75	724		208	Round Ø 12	Yes	Flow resistance	1.2
ZGML50X500-32-FS3	-75	724		208	Oval	No	Flow resistance	1.1
ZGML50X500-32-FS3-A	-75	724		208	Oval	Yes	Flow resistance	1.1
ZGM50X600-31-FL2	-92	341	152		Round Ø 12	No	Flow resistance	1.2
ZGM50X600-31-FL2-A	-92	341	152		Round Ø 12	Yes	Flow resistance	1.3
ZGM50X600-31-FL3	-92	341	152		Oval	No	Flow resistance	1.2
ZGM50X600-31-FL3-A	-92	341	152		Oval	Yes	Flow resistance	1.3
ZGM50X600-31-FS2	-92	341	152		Round Ø 12	No	Flow resistance	1.2
ZGM50X600-31-FS2-A	-92	341	152		Round Ø 12	Yes	Flow resistance	1.3
ZGM50X600-31-FS3	-92	341	152		Oval	No	Flow resistance	1.2
ZGM50X600-31-FS3-A	-92	341	152		Oval	Yes	Flow resistance	1.3
ZGM50X600-32-FL2	-92	682	304		Round Ø 12	No	Flow resistance	1.3
ZGM50X600-32-FL2-A	-92	682	304		Round Ø 12	Yes	Flow resistance	1.3
ZGM50X600-32-FL3	-92	682	304		Oval	No	Flow resistance	1.3
ZGM50X600-32-FL3-A	-92	682	304		Oval	Yes	Flow resistance	1.3
ZGM50X600-32-FS2	-92	682	304		Round Ø 12	No	Flow resistance	1.3
ZGM50X600-32-FS2-A	-92	682	304		Round Ø 12	Yes	Flow resistance	1.3
ZGM50X600-32-FS3	-92	682	304		Oval	No	Flow resistance	1.3
ZGM50X600-32-FS3-A	-92	682	304		Oval	Yes	Flow resistance	1.3
ZGML50X600-31-FL2	-75	362		104	Round Ø 12	No	Flow resistance	1.2
ZGML50X600-31-FL2-A	-75	362		104	Round Ø 12	Yes	Flow resistance	1.3
ZGML50X600-31-FL3	-75	362		104	Oval	No	Flow resistance	1.2
ZGML50X600-31-FL3-A	-75	362		104	Oval	Yes	Flow resistance	1.3
ZGML50X600-31-FS2	-75	362		104	Round Ø 12	No	Flow resistance	1.2
ZGML50X600-31-FS2-A	-75	362		104	Round Ø 12	Yes	Flow resistance	1.3
ZGML50X600-31-FS3	-75	362		104	Oval	No	Flow resistance	1.2
ZGML50X600-31-FS3-A	-75	362		104	Oval	Yes	Flow resistance	1.3
ZGML50X600-32-FL2	-75	724		208	Round Ø 12	No	Flow resistance	1.3
ZGML50X600-32-FL2-A	-75	724		208	Round Ø 12	Yes	Flow resistance	1.3
ZGML50X600-32-FL3	-75	724		208	Oval	No	Flow resistance	1.3
ZGML50X600-32-FL3-A	-75	724		208	Oval	Yes	Flow resistance	1.3
ZGML50X600-32-FS2	-75	724		208	Round Ø 12	No	Flow resistance	1.3
ZGML50X600-32-FS2-A	-75	724		208	Round Ø 12	Yes	Flow resistance	1.3
ZGML50X600-32-FS3	-75	724		208	Oval	No	Flow resistance	1.3
ZGML50X600-32-FS3-A	-75	724		208	Oval	Yes	Flow resistance	1.3