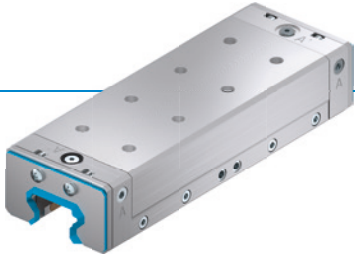


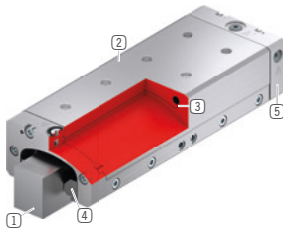
# CLAMPING AND BRAKING ELEMENTS | HYDRAULIC LBHS6510BS2A

## ▶ PRODUCT ADVANTAGES



- ▶ **broad range of products**  
For all common profile rail guides
- ▶ **Energize to open (NC)**  
through residual stress
- ▶ **the power pack**  
0.5 million static clamping cycles
- ▶ **Safety element**  
Safe braking in case of energy failure
- ▶ **Maximum flexibility**  
Additional hydraulic connection from above

## ▶ TECHNICAL DETAILS



- ① **Profile rail guide**
  - Available for all common profile rail guides
- ② **Housing - functional component**
  - Generating clamping force by clamping material
  - Narrow and low design
- ③ **Eroding contour**
  - Used for opening the element under pressure
- ④ **Clamping jaws and brake shoes**
  - Pressed at the free surfaces of the profile rail guide
- ⑤ **Sealing plates**
  - for double-sided hydraulic line connection
- ⑥ **Scraper**
  - Optionally available with "A" article ending

## ▶ INFORMATION ON THE PRODUCTS

### APPLICATION SCENARIOS

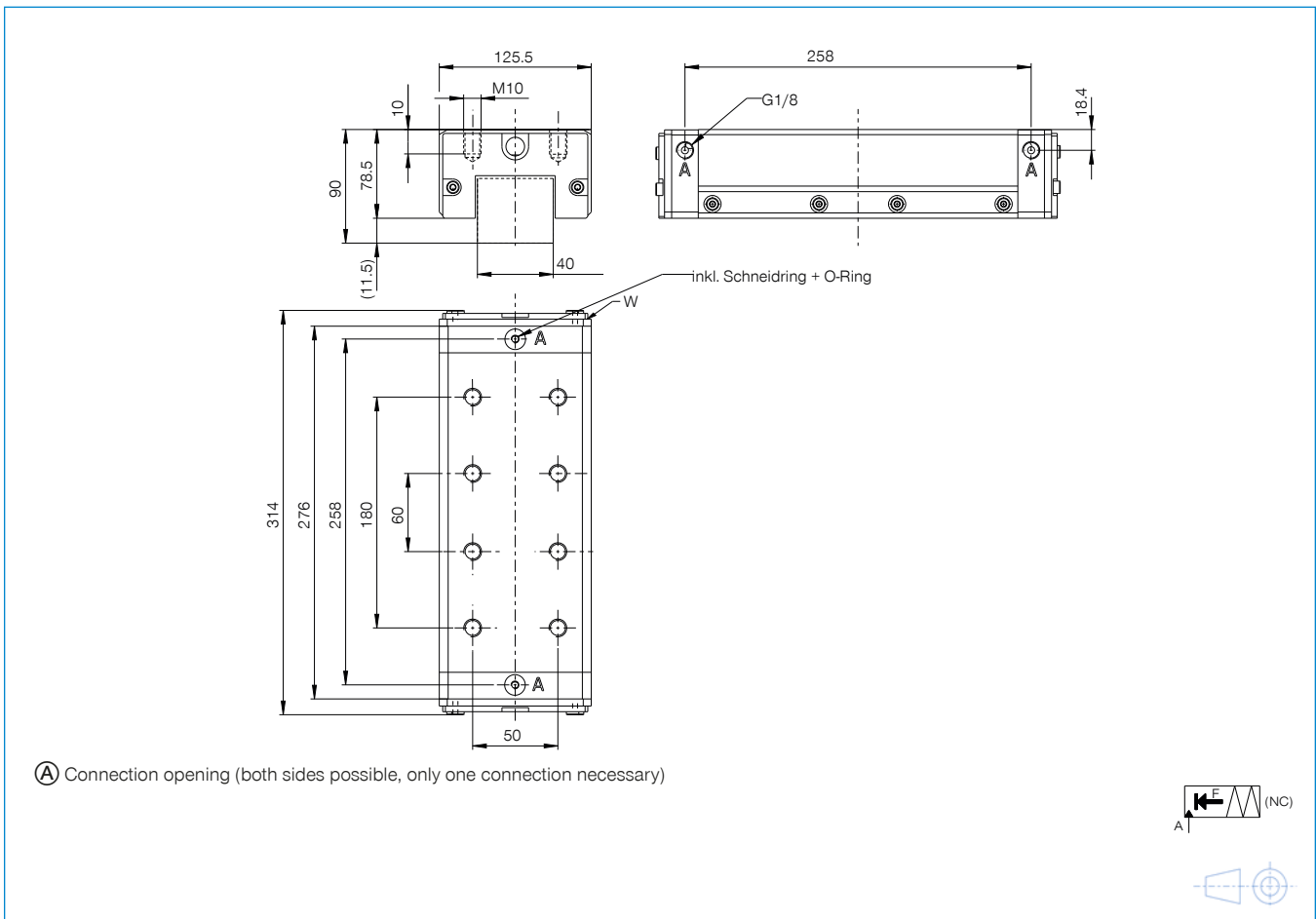
- ▶ **Precise positioning through maximum rigidity**
- ▶ **Clamping measurement applications**
- ▶ **Clamping and braking of heavy handling systems**
- ▶ **Braking in emergency OFF situations**
- ▶ **Clamping in case of pressure drop**

### FURTHER INFORMATION

- ▶ **Spacer plate**  
In addition, a spacer plate might have to be ordered as height compensation, depending on the height of the rail carriage (dimension D).

|                    |                  |             |               |
|--------------------|------------------|-------------|---------------|
| Track manufacturer | Rail type        | Rail size   | Carriage type |
| <b>IKO</b> ✓       | <b>LRX(MX)</b> ✓ | <b>65</b> ✓ | <b>MXDC</b> ✓ |

## ▶ TECHNICAL DRAWINGS



## ▶ TECHNICAL DATA

| Order No.                               | LBHS6510BS2A                                 |
|---|--|
| Operation                               | hydraulic                                    |
| Holding force                           | 15000 [N]                                    |
| Theoretical holding force ( $\mu=0,1$ ) | 18,750 [N]                                   |
| PLUS connection possible                | No   |
| Operating pressure                      | 120 ... 130.0 [bar]                          |
| B10d value                              | 500,000                                      |
| Positioning accuracy +/-                | 0,02 [mm]                                    |
| Opening time                            | 0.02 [s]                                     |
| Closing time                            | 0.02 [s]                                     |
| Operating temperature                   | -10 ... +70 [°C]                             |
| Weight                                  | 14 [kg]                                      |
| Function                                | Clamping and braking                         |
| Condition                               | NC (Normally Closed) closed without pressure |
| Installation direction                  | from the front                               |
| Masking tape can be used                | without masking tape                         |
| Wiper                                   | yes  |
| Displacement                            | 4 [cm <sup>3</sup> ]                         |

Schematic drawing. General tolerances according to DIN ISO 2768 T1-4/T2-H. Edges according to ISO 13715. Element has no guiding properties. Guidance must be external. The holding force is the maximum force that can be applied in the axial direction. Each clamping and braking element is tested in a 100% inspection before delivery for the specified holding forces on a hardened steel rail with a lightly oiled lubricating layer (ISO-VG 68). The use of other lubricants or rail coatings can influence the coefficient of friction. The operating instructions must be observed before commissioning. We reserve the right to make technical changes in the course of further development. The latest and further data can be found online and in the operating instructions at [www.zimmer-group.com](http://www.zimmer-group.com).