

# CLAMPING ELEMENTS | MANUAL

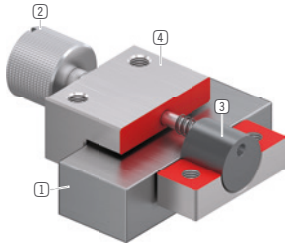
## HK0500MW

### ▶ PRODUCT ADVANTAGES



- ▶ **small construction**  
For all common miniature profile rail guides
- ▶ **Tool-free opening and closing (bi-stable)**  
By turning the knurled screw
- ▶ **Maintenance free**  
Up to 50,000 static clamping cycles

### ▶ TECHNICAL DETAILS



- ① **Miniature profile rail guide**
  - Available for all common miniature profile rail guides
- ② **Stainless knurled screw**
  - For opening and closing the clamping unit
- ③ **Clamping jaw**
  - The floating bearings guarantee symmetrical application of force
- ④ **Housing**

### ▶ INFORMATION ON THE PRODUCTS

APPLICATION SCENARIOS

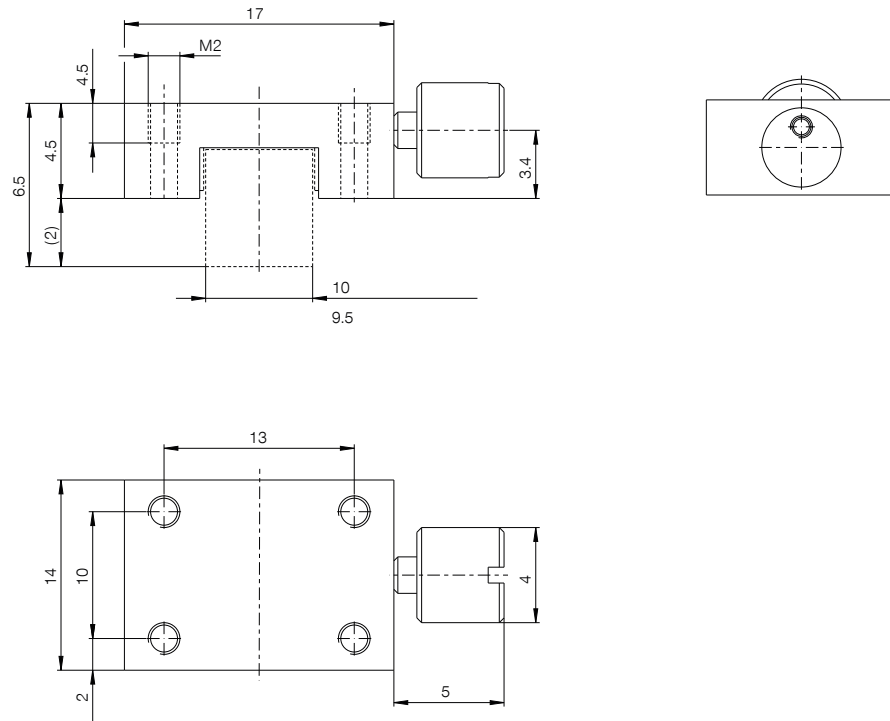
- ▶ **Assembly aids**
- ▶ **Optical equipment**
- ▶ **Medical equipment**

FURTHER INFORMATION

- ▶ **Spacer plate**  
In addition, a spacer plate might have to be ordered as height compensation, depending on the height of the rail carriage (dimension D).

Track manufacturer	Rail type	Rail size	Carriage type
MISUMI	SEWZL (Miniature Wide)		SSEBW

## TECHNICAL DRAWINGS



## TECHNICAL DATA

Order No.	HK0500MW
Operation	manual
Holding force	40 [N]
Theoretical holding force ( $\mu=0,1$ )	50 [N]
B10d value	50,000
Positioning accuracy +/-	0,02 [mm]
Operating temperature	-10 ... +70 [°C]
Weight	0.007 [kg]
Function	Clamping
Condition	N (bistable) remains in current position
Installation direction	from above
Masking tape can be used	with masking tape
Tightening torque	0.07 [Nm]

Schematic drawing. General tolerances according to DIN ISO 2768 T1-4/T2-H. Edges according to ISO 13715. Element has no guiding properties. Guidance must be external. The holding force is the maximum force that can be applied in the axial direction. Each clamping and braking element is tested in a 100% inspection before delivery for the specified holding forces on a hardened steel rail with a lightly oiled lubricating layer (ISO-VG 68). The use of other lubricants or rail coatings can influence the coefficient of friction. The operating instructions must be observed before commissioning. We reserve the right to make technical changes in the course of further development. The latest and further data can be found online and in the operating instructions at [www.zimmer-group.com](http://www.zimmer-group.com).