

# CLAMPING ELEMENTS | PNEUMATIC

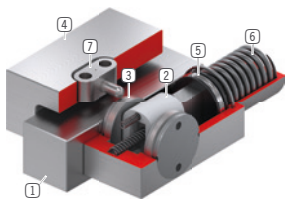
## MCPS1217C

### ▶ PRODUCT ADVANTAGES



- ▶ **small construction**  
For all common miniature profile rail guides
- ▶ **Energize to open (NC)**  
through spring-loaded energy storage
- ▶ **high durability**  
Up to 5 million static clamping cycles
- ▶ **Higher holding force**  
Via activation with PLUS air
- ▶ **Safety element**  
Safe clamping in case of energy failure

### ▶ TECHNICAL DETAILS



- ① **Miniature profile rail guide**
  - Available for all common miniature profile rail guides
- ② **Wedge-type gear**
  - Power transmission between piston and clamping jaw
- ③ **Clamping jaw**
  - Pressed at the free surfaces of the profile rail guide
- ④ **Housing**
- ⑤ **Pneumatic piston**
  - The piston moves the wedge-type gear longitudinally
- ⑥ **Spring-loaded energy storage**
  - For non-pressurized closing of the clamping unit
- ⑦ **Sliding block**
  - For floating bearings

### ▶ INFORMATION ON THE PRODUCTS

APPLICATION SCENARIOS

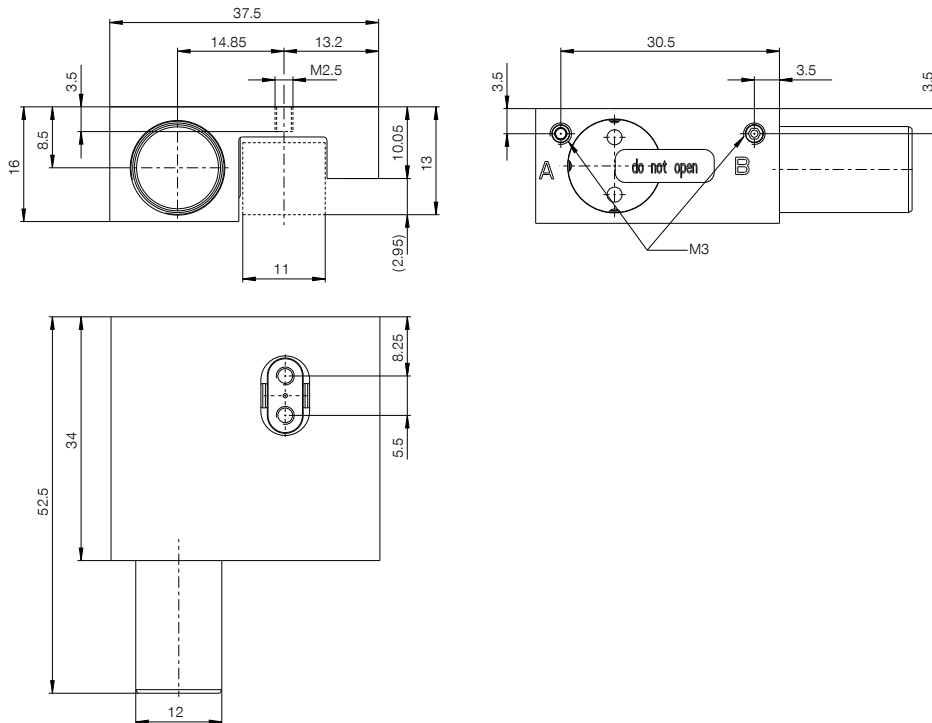
- ▶ **Clamping in case of pressure drop**
- ▶ **Clamping without energy requirement**

FURTHER INFORMATION

- ▶ **Special variants on request, e.g.**
  - With low opening pressure (3.0 bar)
  - With additional air connection (from above, from the front)
  - made of stainless steel

Track manufacturer	Rail type	Rail size	Carriage type
NB	SERS	12	A

## TECHNICAL DRAWINGS



(A) Connection opening

(B) Vent filter connection can be used for PLUS connection



## TECHNICAL DATA

Order No.	MCPS1217C
Operation	pneumatic
Holding force	250 [N]
Theoretical holding force ( $\mu=0,1$ )	313 [N]
PLUS connection possible	Yes
Holding force PLUS connection	330 [N]
Operating pressure	5.5 ... 6.5 [bar]
Nominal operating pressure	6 [bar]
B10d value	5,000,000
Positioning accuracy +/-	0,05 [mm]
Opening time	0.01 [s]
Closing time	0.015 [s]
Operating temperature	-10 ... +70 [°C]
Weight	0.1 [kg]
Function	Clamping
Condition	NC (Normally Closed) closed without pressure
Installation direction	from above
Masking tape can be used	with masking tape
Air volume per cycle	2 [cm <sup>3</sup> ]

Schematic drawing. General tolerances according to DIN ISO 2768 T1-4/T2-H. Edges according to ISO 13715. Element has no guiding properties. Guidance must be external. The holding force is the maximum force that can be applied in the axial direction. Each clamping and braking element is tested in a 100% inspection before delivery for the specified holding forces on a hardened steel rail with a lightly oiled lubricating layer (ISO-VG 68). The use of other lubricants or rail coatings can influence the coefficient of friction. The operating instructions must be observed before commissioning. We reserve the right to make technical changes in the course of further development. The latest and further data can be found online and in the operating instructions at [www.zimmer-group.com](http://www.zimmer-group.com).